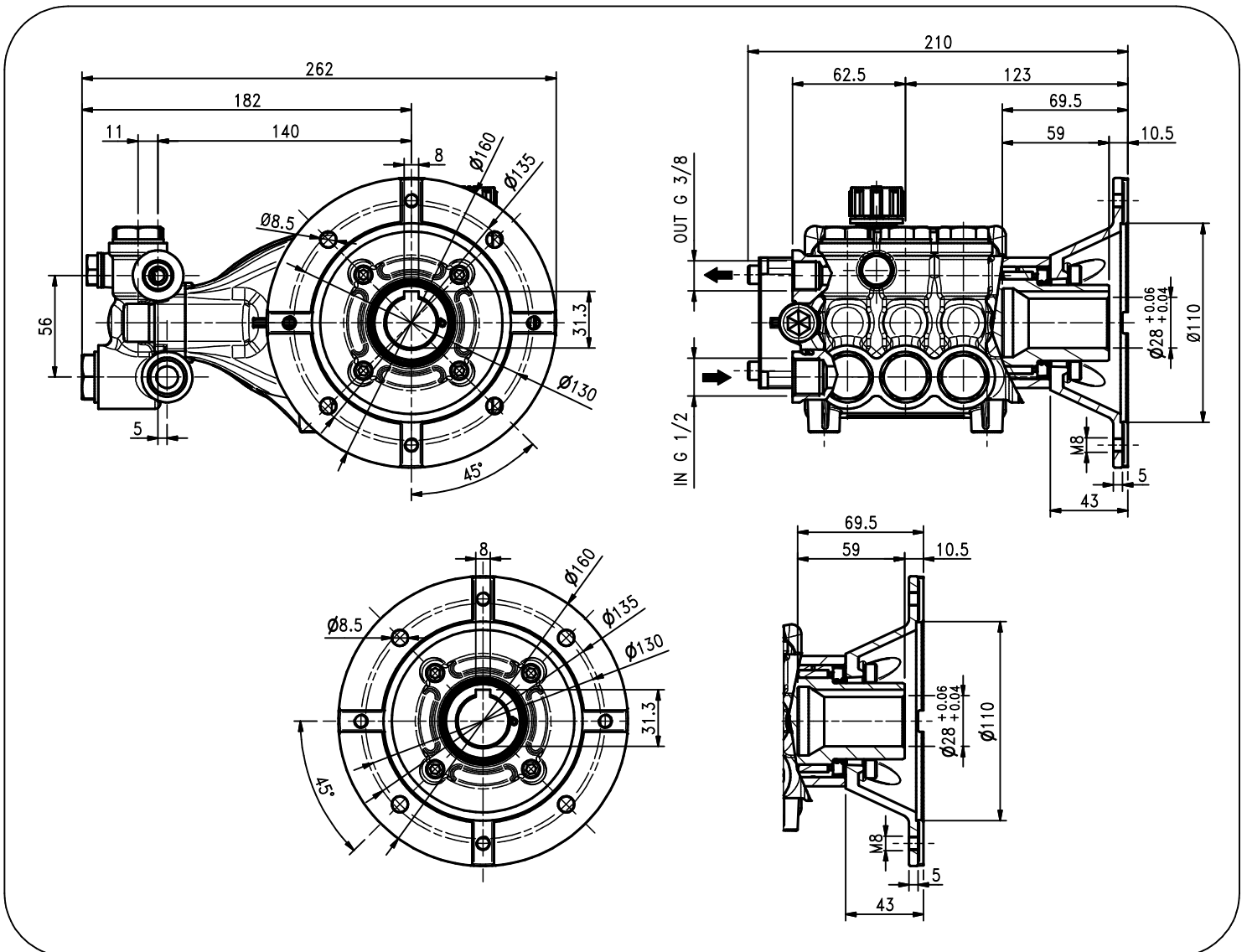
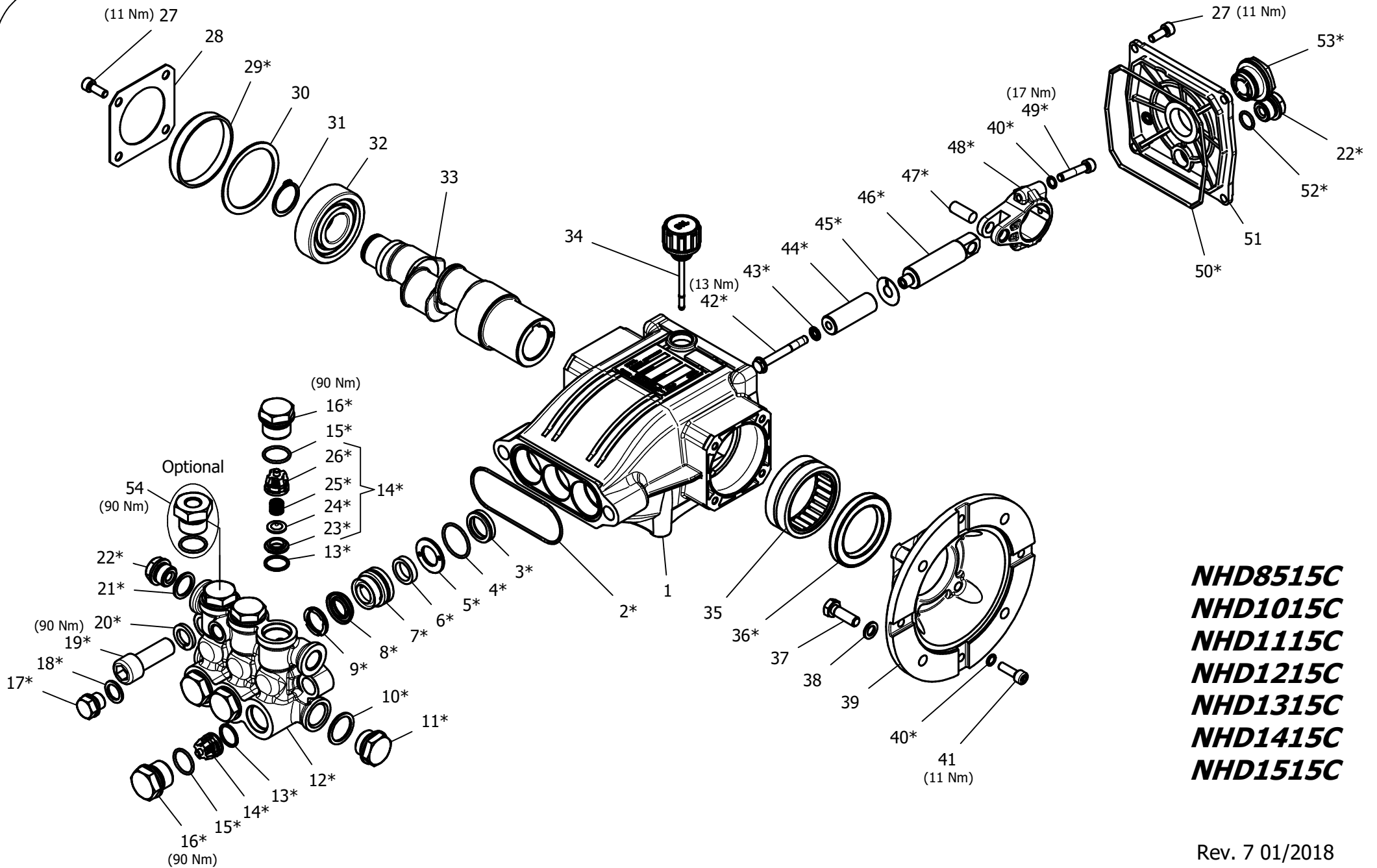


Pump Pompa	Pressure Pressione		Volume Portata				RPM giri/min		Power Potenza			
			l/min		GPM				HP		kW	
	bar	PSI	50 Hz	60 Hz	50 Hz	60 Hz	50 Hz	60 Hz	50 Hz	60 Hz	50 Hz	60 Hz
NHD8515C	150	2200	8.5	10.1	2.2	2.7	1450	1740	3.2	3.8	2.4	2.9
NHD1015C	150	2200	10	12.0	2.6	3.2	1450	1740	3.7	4.7	2.8	3.5
NHD1115C	150	2200	11	13.2	2.9	3.5	1450	1740	4.3	5.1	3.2	3.8
NHD1215C	150	2200	12	14.0	3.1	3.7	1450	1740	4.6	5.4	3.4	4.0
NHD1315C	150	2200	13	15.5	3.4	4.0	1450	1740	5.0	5.8	3.7	4.3
NHD1415C	150	2200	14	17.0	3.7	4.5	1450	1740	5.4	6.4	4.0	4.7
NHD1515C	150	2200	15	18.0	4.0	4.7	1450	1740	5.8	7.0	4.3	5.2

Dimensioni d'ingombro

Overall dimensions





NHD8515C
NHD1015C
NHD1115C
NHD1215C
NHD1315C
NHD1415C
NHD1515C

Rev. 7 01/2018

HAWK
Pompe Serie NHD 2014
NHD Pumps 2014 Series

NHD C 2014 SERIES

ORDINARY MAINTENANCE KIT / KIT MANUTENZIONE ORDINARIA

KIT	Item Pos.	Part Number Codice	Description	Descrizione	Q.TY by Pump Q.TA per Pompa	NHD8515CR/L	NHD1015CR/L	NHD1115CR/L	NHD1215CR/L	NHD1315CR/L	NHD1415CR/L	NHD1515CR/L
A	2- 4- 6- 8- 9 18	1.099-742.0	PLUNGER SEALS DIA. 16 mm	GUARNIZIONI PISTONE Ø16	1							
B	13- 14 (23- 24 25- 26) 15	1.905-617.0	COMPLETE VALVE	VALVOLA COMPLETA	1	•	•	•	•	•	•	•

EXTRAORDINARY MAINTENANCE KIT / KIT MANUTENZIONE STRAORDINARIA

KIT	Item Pos.	Part Number Codice	Description	Descrizione	Q.TY by Pump Q.TA per Pompa	NHD8515CR/L	NHD1015CR/L	NHD1115CR/L	NHD1215CR/L	NHD1315CR/L	NHD1415CR/L	NHD1515CR/L
C	2- 4- 5- 6- 7 8- 9- 19	1.905-630.0	COMPLETE SEALS PACKING DIA. 16 mm	PACCO COMPLETO GUARNIZIONI PISTONE Ø16	1							
D	42- 43- 44- 45	1.099-738.0	PLUNGER DIA. 16 mm	PISTONE Ø16	3							
E	3	1.099-740.0	PLUNGER OIL SEALS	ANELLI TENUTA OLIO ASTA	1							
F	22- 29- 36 50- 52- 53	1.905-622.0	KIT CRANKCASE SEALS	KIT TENUTE CARTER	1							
G	2- 4- 5- 6 7- 8- 9- 10- 11 12- 13- 14 (23 24- 25- 26) 15- 16- 17- 18 19- 20- 21- 22	1.099-744.0	COMPLETE MANIFOLD	TESTATA COMPLETA	1	•	•	•	•	•	•	•
H	40- 46- 47 48- 49	1.904-183.0	CONNECTING ROD PLUNGER ROD ASSY	PREMONTATO ASTA-BIELLA PISTONE	3							
I	15- 16	1.904-249.0	VALVE PLUG ASSY	PREMONTATO TAPPO VAM	6							

“Q.TY by Pump” => Necessary quantity to repair one pump
 “Q.TA’ per Pompa” => Quantità necessaria per riparare una pompa

OPTIONAL

Item Pos.	Part Number Codice	Description	Descrizione	Q.TY by Pump Q.TA per Pompa	NHD8515CR/L	NHD1015CR/L	NHD1115CR/L	NHD1215CR/L	NHD1315CR/L	NHD1415CR/L	NHD1515CR/L
54	9.853-424.0	THREADED BRASS PLUG G1/4	PREMONTATO TAPPO FORATO	1	•	•	•	•	•	•	•

TOOL KIT

Part Number Codice	Description	Descrizione	Q.TY by Pump Q.TA per Pompa	NHD8515CR/L	NHD1015CR/L	NHD1115CR/L	NHD1215CR/L	NHD1315CR/L	NHD1415CR/L	NHD1515CR/L
1.099-668.0	TOOL-KIT	TOOL-KIT	1	•	•	•	•	•	•	•
1.905-591.0	TOOL-KIT EXTRAORDINARY	TOOL-KIT STRAORDINARIA	1	•	•	•	•	•	•	•

IMPORTANT

IMPORTANTE

* Part available ONLY in kit
Disponibile SOLO in kit

(...) Parts pre-assembled
Parti pre-assemblate

PARTS LIST LISTA PARTI

Item Pos	Part Number Codice	Description	Descrizione	KIT	Q.TY Q.TÀ	NHD8515CR/L	NHD1015CR/L	NHD1115CR/L	NHD1215CR/L	NHD1315CR/L	NHD1415CR/L	NHD1515CR/L
1	9.850-369.0	CRANKCASE	CARTER		1							
2*		"O" RING Ø1.78X72.75	"O" RING Ø1.78X72.75	A-C-G	1							
3*		PLUNGER OIL SEAL	ANELLO RADIALE	E	3							
4*		"O" RING Ø1.78X26.7	"O" RING Ø1.78X26.7	A-C-G	3							
5*		PRESSURE RING WASHER DIA. 16 MM	RONDELLA PRESSORE Ø16	C-G	3							
6*		"U" SEAL, DIA. 16 MM	ANELLO TENUTA "U" Ø16	A-C-G	3							
7*		PRESSURE RING DIA. 16 MM	PRESSORE "V" Ø16	C-G	3							
8*		"V" SEAL, DIA. 16 MM	ANELLO TENUTA "V" Ø16	A-C-G	3							
9*		SUPPORT RING DIA. 16 MM	DIFFUSORE Ø16	A-C-G	3							
10*		COPPER WASHER G1/2	GUARNIZIONE RAME G1/2	G	1							
11*		BRASS PLUG G1/2	TAPPO OTTONE G1/2	G	1							
12*		MANIFOLD HOUSING	TESTATA	G	1							
13*		"O" RING Ø1.78X15.6	"O" RING Ø1.78X15.6	B-G	6							
14*		VALVE ASSEMBLY	VALVOLA PREMONTATA	B-G	6							
15*		"O" RING Ø1,78X18.77	"O" RING Ø1.78X18.77	B-G-I	6							
16*		VALVE PLUG	TAPPO VALVOLA	G-I	6	•	•	•	•	•	•	•
17*		BRASS PLUG G1/4	TAPPO OTTONE G1/4	G	1							
18*		COPPER WASHER G1/4	GUARNIZIONE RAME G1/4	G	1							
19*		MANIFOLD STUD BOLT M14X40	VITE TCEI M14X40	A-C-G	2							
20*		LOCK-WASHER	ROSETTA ELASTICA Ø14	G	2							
21*		COPPER WASHER G3/8	GUARNIZIONE RAME G 3/8	G	1							
22*		BRASS PLUG G 3/8	TAPPO OTTONE G 3/8	F-G	2							
23*		VALVE SEAT	SEDE VALVOLA	B-G	6							
24*		VALVE PLATE	PIATTELLO VALVOLA	B-G	6							
25*		VALVE SPRING	MOLLA VALVOLA	B-G	6							
26*		VALVE CAGE	GABBIA VALVOLA	B-G	6							
27	9.851-474.0	SCREW M6X16	VITE TCEI M6X16		8							
28	9.850-379.0	BEARING COVER	COPERCHIO CUSCINETTO		1							
29*		BEARING SEAL	CAPPELLOTTO CUSCINETTO	F	1							
30	9.850-554.0	CRANKSHAFT SEAL SPACER	DISTANZIALE PARAOLIO ALBERO		1							
31	9.851-198.0	SNAP RING DIA. 25 MM	ANELLO Ø25		1							
32	9.850-460.0	BALL BEARING	CUSCINETTO A SFERE		1							
33	9.850-223.0	HOLLOW SHAFT	ALBERO CAVO Ø28		1							•
	9.850-233.0	" "	" " "		1	•						
	9.850-234.0	" "	" " "		1		•					
	9.850-235.0	" "	" " "		1			•				
	9.850-236.0	" "	" " "		1				•			
	9.850-237.0	" "	" " "		1					•		

Item Pos	Part Number Codice	Description	Descrizione	KIT	Q.TY Q.TA	NHD8515CR/L	NHD1015CR/L	NHD1115CR/L	NHD1215CR/L	NHD1315CR/L	NHD1415CR/L	NHD1515CR/L
33	9.850-238.0	HOLLOW SHAFT	ALBERO CAVO Ø28		1							
34	9.851-286.0	OIL DIP STICK	TAPPO LIVELLO OLIO		1							
35	9.850-354.0	NEEDLE ROLLER BEARING	CUSCINETTO A RULLINI		1							
36*		CRANKSHAFT SEAL	ANELLO RADIALE	F	1							
37	9.851-504.0	HEXAGONAL SCREW M8X25	VITE TE M8X25		4							
38	9.851-114.0	WASHER DIA. 8,5 MM	ROSETTA Ø8,5		4							
39	9.850-632.0	MOTOR FLANGE	FLANGIA MOTORE		1							
40*		SPRING WASHER DIA. 6 MM	ROSETTA SCHNORR Ø6	H	10							
41	9.851-491.0	SCREW M6X20	VITE TCEI M6X20		4							
42*		PLUNGER BOLT	VITE PISTONE	D	3							
43*		COPPER SPACER	ROSETTA RAME	D	3							
44*		PLUNGER DIA. 16 MM	PISTONE Ø16	D	3	•	•	•	•	•	•	•
45*		COPPER SPACER	ROSETTA RAME	D	3							
46*		PLUNGER ROD	ASTA PISTONE	H	3							
47*		CONNECTING ROD PIN	SPINOTTO	H	3							
48*		CONNECTING ROD	BIELLA	H	3							
49*		CONNECTING ROD SCREW	VITE M6X30	H	6							
50*		"O" RING Ø2.62X111.62	"O" RING Ø2.62X111.62	F	1							
51	9.850-392.0	CRANKCASE COVER	COPERCHIO POSTERIORE		1							
52*		"O" RING Ø1.78X14	"O" RING Ø1.78X14	F	1							
53*		SIGHT GLASS G3/4	SPIA LIVELLI OLIO G3/4	F	1							