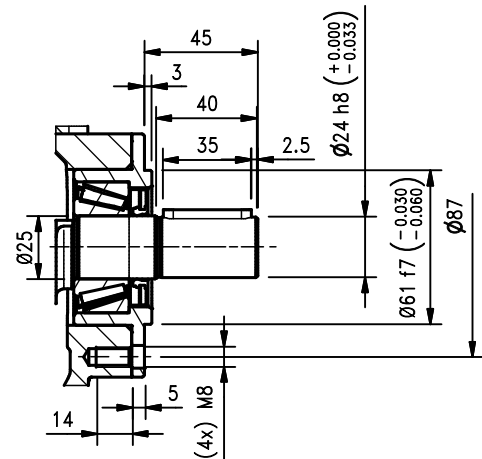
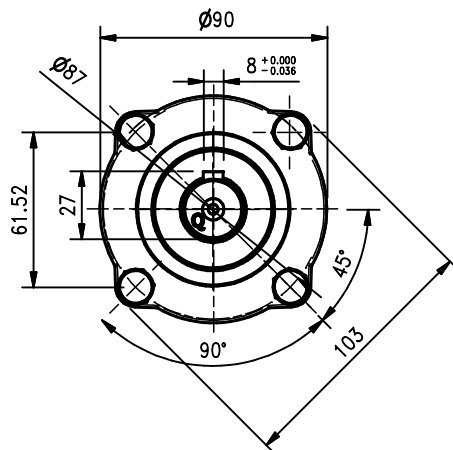
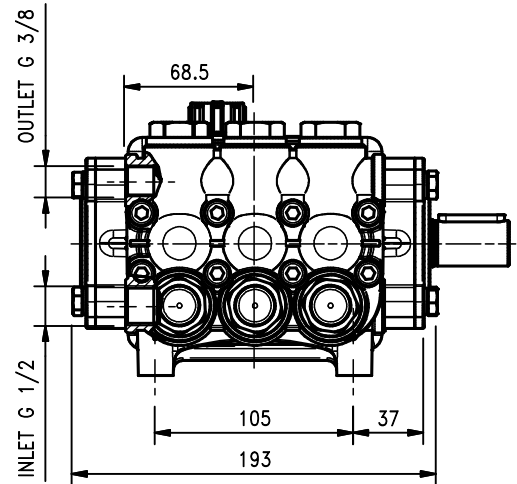
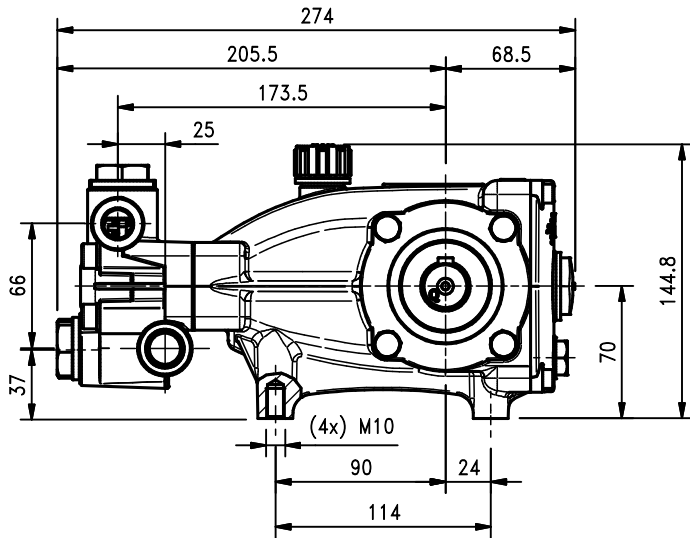


Caratteristiche Tecniche NMT HT Serie 2011 Series *Technical Characteristics*

Pump Pompa	Pressure Pressione		Volume Portata				RPM giri/min		Power Potenza			
			l/min		GPM				HP		kW	
	bar	PSI	50 Hz	60 Hz	50 Hz	60 Hz	50 Hz	60 Hz	50 Hz	60 Hz	50 Hz	60 Hz
NMT1220SHTR/L	150	2175	12.5	15.0	3.3	4.0	1000	1200	4.8	5.8	3.5	4.2
NMT1520SHTR/L	150	2175	15.0	18.0	4.0	4.7	1000	1200	5.8	6.9	4.2	5.1
NMT1220HTR/L	150	2175	12.5	15.0	3.3	4.0	1450	1740	4.8	5.8	3.5	4.2
NMT1520HTR/L	150	2175	15.0	18.0	4.0	4.7	1450	1740	5.8	6.9	4.2	5.1
NMT1820HTR/L	150	2175	18.0	21.4	4.8	5.6	1450	1740	6.9	8.3	5.1	6.1
NMT2120HTR/L	150	2175	21.0	25.0	5.5	6.6	1450	1740	8.1	9.7	5.9	7.1

Dimensioni d'ingombro

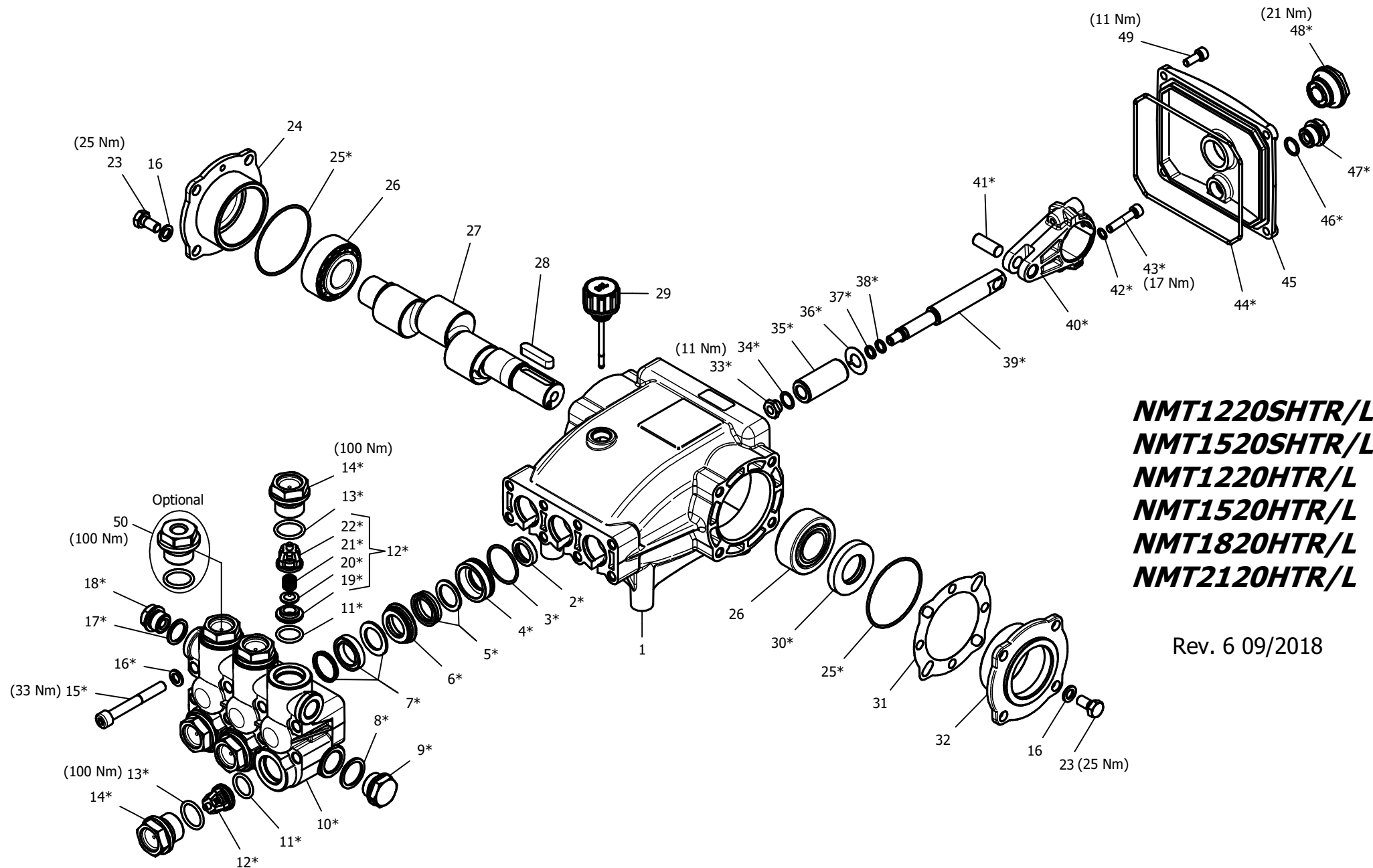
Overall dimensions



Lubrificazione: Olio SAE 10W-40
 Capacità: 0.7 Litri
 Peso pompa: 10.3 Kg

rev. 6 09-2018

Lubrication: SAE 10W-40 Oil
 Capacity: 0.7 Litres
 Weight: 10.3 Kg



***NMT120SHTR/L
 NMT152SHTR/L
 NMT120HTR/L
 NMT152HTR/L
 NMT182HTR/L
 NMT212HTR/L***

Rev. 6 09/2018

**HAWK
 Pompe NMT HT serie 2011
 NMT HT pumps 2011 series**

NMT HT 2011 SERIES

ORDINARY MAINTENANCE KIT / KIT MANUTENZIONE ORDINARIA

KIT	Item Pos.	Part Number Codice	Description	Descrizione	Q.TY by Pump Q.TA per Pompa	NMT1220SHTR/L	NMT1520SHTR/L	NMT1220HTR/L	NMT1520HTR/L	NMT1820HTR/L	NMT2120HTR/L
A	3- 5- 7	1.905-844.0	PLUNGER SEALS DIA. 20 mm	GUARNIZIONI PISTONE Ø20	1						
B	11- 12- 13 (19- 20- 21 22)	1.905-708.0	COMPLETE VALVE	VALVOLA COMPLETA	1	•	•	•	•	•	•

EXTRAORDINARY MAINTENANCE KIT / KIT MANUTENZIONE STRAORDINARIA

KIT	Item Pos.	Part Number Codice	Description	Descrizione	Q.TY by Pump Q.TA per Pompa	NMT1220SHTR/L	NMT1520SHTR/L	NMT1220HTR/L	NMT1520HTR/L	NMT1820HTR/L	NMT2120HTR/L
C	3- 4- 5- 6- 7	1.905-845.0	COMPLETE SEALS PACKING DIA. 20 mm	PACCO COMPLETO GUARNIZIONI PISTONE Ø20	1						
D	33- 34- 35 36- 37- 38	1.099-749.0	PLUNGER DIA. 20 mm	PISTONE Ø20	3						
E	2	1.099-751.0	PLUNGER OIL SEALS	ANELLI TENUTA OLIO ASTA	1						
F	25- 30- 44 46- 47- 48	1.905-542.0	KIT CRANKCASE SEALS	KIT TENUTE CARTER	1						
G	3- 4- 5- 6- 7 8- 9- 10- 11 12- 13- 14 15- 16- 17 18 (19- 20 21- 22)	1.099-854.0	COMPLETE MANIFOLD	TESTATA COMPLETA	1	•	•	•	•	•	•
H	33- 34- 37 38- 39- 40 41- 42- 43	1.905-544.0	CONNECTING ROD PLUNGER ROD ASSY	PREMONTATO ASTA-BIELLA PISTONE	3						
I	13- 14	1.904-133.0	VALVE PLUG ASSY	PREMONTATO TAPPO VAM	6						

“Q.TY by Pump” => Necessary quantity to repair one pump
 “Q.TA’ per Pompa” => Quantità necessaria per riparare una pompa

OPTIONAL

Item Pos.	Part Number Codice	Description	Descrizione	Q.TY by Pump Q.TA per Pompa	NMT1220SR/LN	NMT1520SR/LN	NMT1220R/LN	NMT1520R/LN	NMT1820R/LN	NMT2120R/LN
50	9.853-426.0	THREADED BRASS PLUG G1/4	PREMONTATO TAPPO FORATO	1	•	•	•	•	•	•

TOOL KIT

Part Number Codice	Description	Descrizione	Q.TY by Pump Q.TA per Pompa	NMT1220SR/LN	NMT1520SR/LN	NMT1220R/LN	NMT1520R/LN	NMT1820R/LN	NMT2120R/LN
1.099-667.0	TOOL-KIT	TOOL-KIT	1	•	•	•	•	•	•
1.904-414.0	OIL SEAL EXTRACTOR TOOL-KIT	TOOL-KIT ESTRAZIONE PARAOLIO	1	•	•	•	•	•	•

IMPORTANT

IMPORTANTE

* Part available **ONLY** in kit
Disponibile **SOLO** in kit

(...) Parts pre-assembled
Parti pre-assemblate

PARTS LIST LISTA PARTI

Item Pos	Part Number Codice	Description	Descrizione	KIT	Q.TY Q.TÀ	NMT1220SHTR/L	NMT1520SHTR/L	NMT1220HTR/L	NMT1520HTR/L	NMT1820HTR/L	NMT2120HTR/L
1	9.850-375.0	CRANKCASE	CARTER		1						
2*	9.850-003.0	PLUNGER OIL SEAL	ANELLO RADIALE	E	3						
3*	9.850-661.0	"O" RING Ø1.78X31.47	"O" RING Ø1.78X31.47	A-C-G	3						
4*	9.851-017.0	PRESSURE RING 20MM	PRESSORE "U" Ø20	C-G	3						
5*	9.853-633.0	LOW PRESSURE "U" SEAL, DIA.20MM	ANELLO TENUTA "U" Ø20	A-C-G	3						
6*	9.850-516.0	INTERMED. RING 20MM	DIFFUSORE INTER. Ø20	C-G	3						
7*	9.853-634.0	HIGH PRESSURE "U" SEAL, DIA.20MM	ANELLO TENUTA "U" Ø20	A-C-G	3						
8*	9.850-748.0	COPPER WASHER G1/2	GUARNIZIONE RAME	G	1						
9*	9.851-345.0	BRASS PLUG G1/2 NICKEL PLATED	TAPPO G1/2 NICHELATO	G	1						
10*	9.851-393.0	MANIFOLD HOUSING NICKEL PLATED	TESTATA NICHELATA	G	1						
11*	9.850-677.0	"O" RING Ø2.62X17.13	"O" RING Ø2.62X17.13	B-G	6						
12*	1.904-193.0	VALVE ASSEMBLY	VALVOLA PREMONTATA	B-G	6						
13*	9.850-705.0	"O" RING Ø2.62X20.29	"O" RING Ø2.62X20.29	B-G-I	6						
14*	9.851-344.0	VALVE PLUG NICKEL PLATED	TAPPO VALVOLA NICHELATO	G-I	6	•	•	•	•	•	•
15*	9.851-465.0	MANIFOLD STUD BOLT M8X65 GEOMET	VITE M8X65 GEOMET	G	8						
16*	9.851-114.0	WASHER Ø8,5	ROSETTA Ø8.5	G	16						
17*	9.850-747.0	COPPER WASHER G3/8	GUARNIZIONE RAME	G	1						
18*	9.851-346.0	BRASS PLUG G3/8 NICKEL PLATED	TAPPO G3/8 NICHELATO	G	2						
19*	9.851-225.0	VALVE SEAT	SEDE VALVOLA	B-G	6						
20*	9.851-060.0	VALVE PLATE	PIATTELLO VALVOLA	B-G	6						
21*	9.850-879.0	VALVE SPRING	MOLLA VALVOLA	B-G	6						
22*	9.850-755.0	VALVE CAGE	GABBIA VALVOLA	B-G	6						
23	9.851-501.0	HEXAGONAL SCREW M8X18	VITE M8X18		8						
24	9.850-626.0	CLOSED BEARING HOUSING	FLANGIA CHIUSA		1						
25*	9.850-703.0	"O" RING Ø1.78X60.05	"O" RING Ø1.78X60.05	F	2						
26	9.850-349.0	ROLLER BEARING 33205	CUSCINETTO A RULLI 33205		2						
27	9.850-175.0	SINGLE - ENDED SHAFT	ALBERO SEMPLICE P.D.F.		1			•			
	9.850-177.0	" " "	" " "		1				•		
	9.850-178.0	" " "	" " "		1	•				•	
	9.850-179.0	" " "	" " "		1						•
	9.850-180.0	" " "	" " "		1		•				
28	9.850-446.0	CRANKSHAFT KEY	CHIAVETTA		1						
29	9.851-286.0	OIL DIP STICK	TAPPO LIVELLO OLIO		1						
30*	9.850-002.0	CRANKSHAFT SEAL	ANELLO RADIALE	F	1	•	•	•	•	•	•
31	9.850-547.0	SHIM	DISTANZIALE		1						
32	9.850-625.0	BEARING HOUSING	FLANGIA		1						

Item Pos	Part Number Codice	Description	Descrizione	KIT	Q.TY Q.TÀ	NMT1220SHTR/L	NMT1520SHTR/L	NMT1220HTR/L	NMT1520HTR/L	NMT1820HTR/L	NMT2120HTR/L
33*	9.850-568.0	PLUNGER NUT	DADO PISTONE	D-H	3						
34*	9.851-123.0	COPPER SPACER Ø 11.2/15X0.5	ROSETTA RAME Ø 1.2/15X0.5	D-H	3						
35*	9.850-959.0	PLUNGER 20MM	PISTONE Ø20	D	3						
36*	9.851-126.0	COPPER SPACER Ø 11.3/24X0.5	ROSETTA RAME Ø 1.3/24X0.5	D	3						
37*	9.850-657.0	"O" RING Ø1.78X7.66	"O" RING Ø1.78X7.66	D-H	3						
38*	9.850-264.0	TEFLON RING	ANELLO ANTIESTRUSIONE	D-H	3						
39*	9.850-098.0	PLUNGER ROD	ASTA PISTONE	H	3						
40*	9.850-308.0	CONNECTING ROD	BIELLA	H	3						
41*	9.851-213.0	CONNECTING ROD PIN	SPINOTTO	H	3	•	•	•	•	•	•
42*	9.851-151.0	SPRING WASHER Ø6	ROSETTA ELASTICA Ø6	H	6						
43*	9.851-484.0	CONNECTING ROD SCREW M6X30	VITE M6X30	H	6						
44*	9.850-718.0	"O" RING Ø 2.62X126.67	"O" RING Ø 2.62X126.67	F	1						
45	9.850-388.0	CRANKCASE COVER	COPERCHIO POSTERIORE		1						
46*	9.850-668.0	"O" RING Ø1.78X14	"O" RING Ø1.78X14	F	1						
47*	9.851-303.0	BRASS PLUG G 3/8	TAPPO G 3/8	F	1						
48*	9.850-808.0	SIGHT GLASS, G3/4	SPIA LIVELLO OLIO G3/4	F	1						
49	9.851-474.0	SCREW M6X16	VITE M6X16		4						