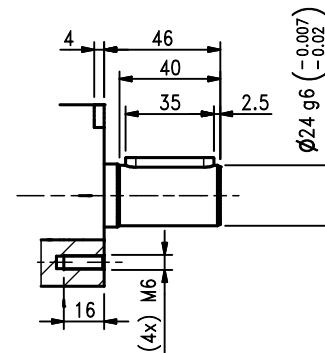
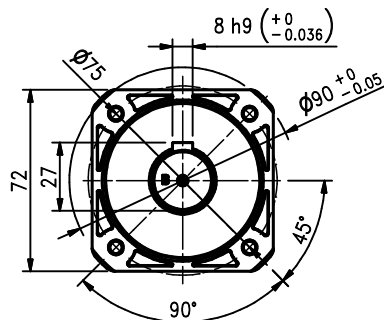
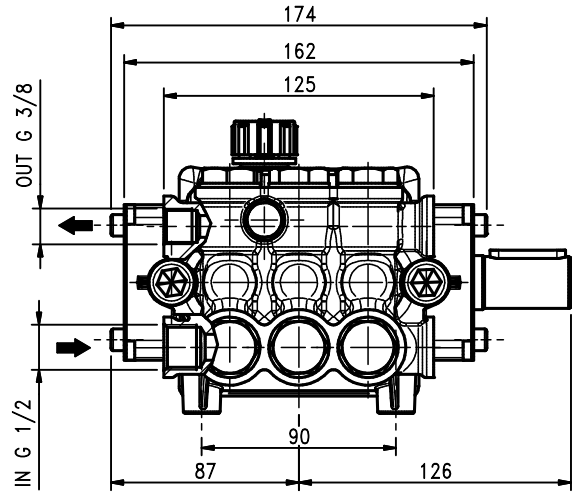
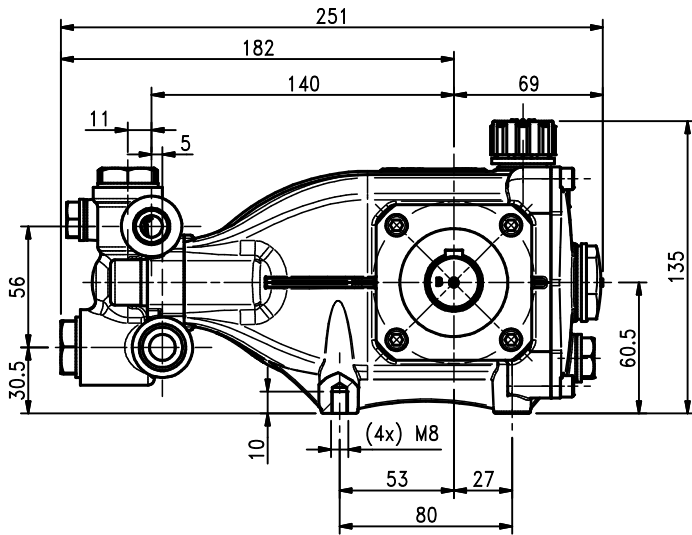


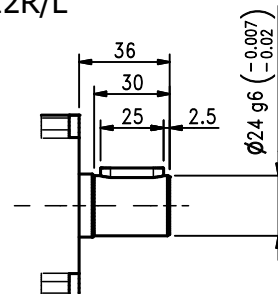
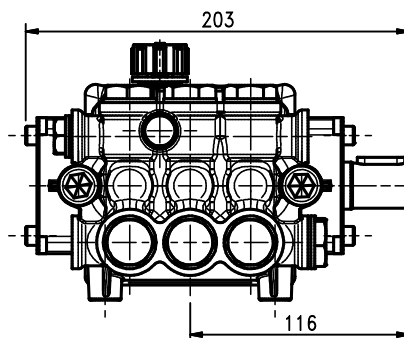
Pump Pompa	Pressure Pressione		Volume Portata				RPM giri/min		Power Potenza			
			l/min		GPM				HP		kW	
	bar	PSI	50 Hz	60 Hz	50 Hz	60 Hz	50 Hz	60 Hz	50 Hz	60 Hz	50 Hz	60 Hz
NHD0412	120	1740	4	4.8	1.1	1.3	1450	1740	1.2	1.5	0.9	1.1
NHD0612	120	1740	6	7.2	1.6	1.9	1450	1740	1.9	2.3	1.4	1.7
NHD8512	120	1740	8.5	10.2	2.2	2.7	1450	1740	2.6	3.1	1.9	2.3
NHD1012	120	1740	10	12	2.6	3.2	1450	1740	3	3.6	2.2	2.6
NHD1112	120	1740	11	13.1	2.9	3.5	1450	1740	3.4	4.1	2.5	3
NHD1212	120	1740	12	14.4	3.2	3.8	1450	1740	3.6	4.4	2.7	3.2

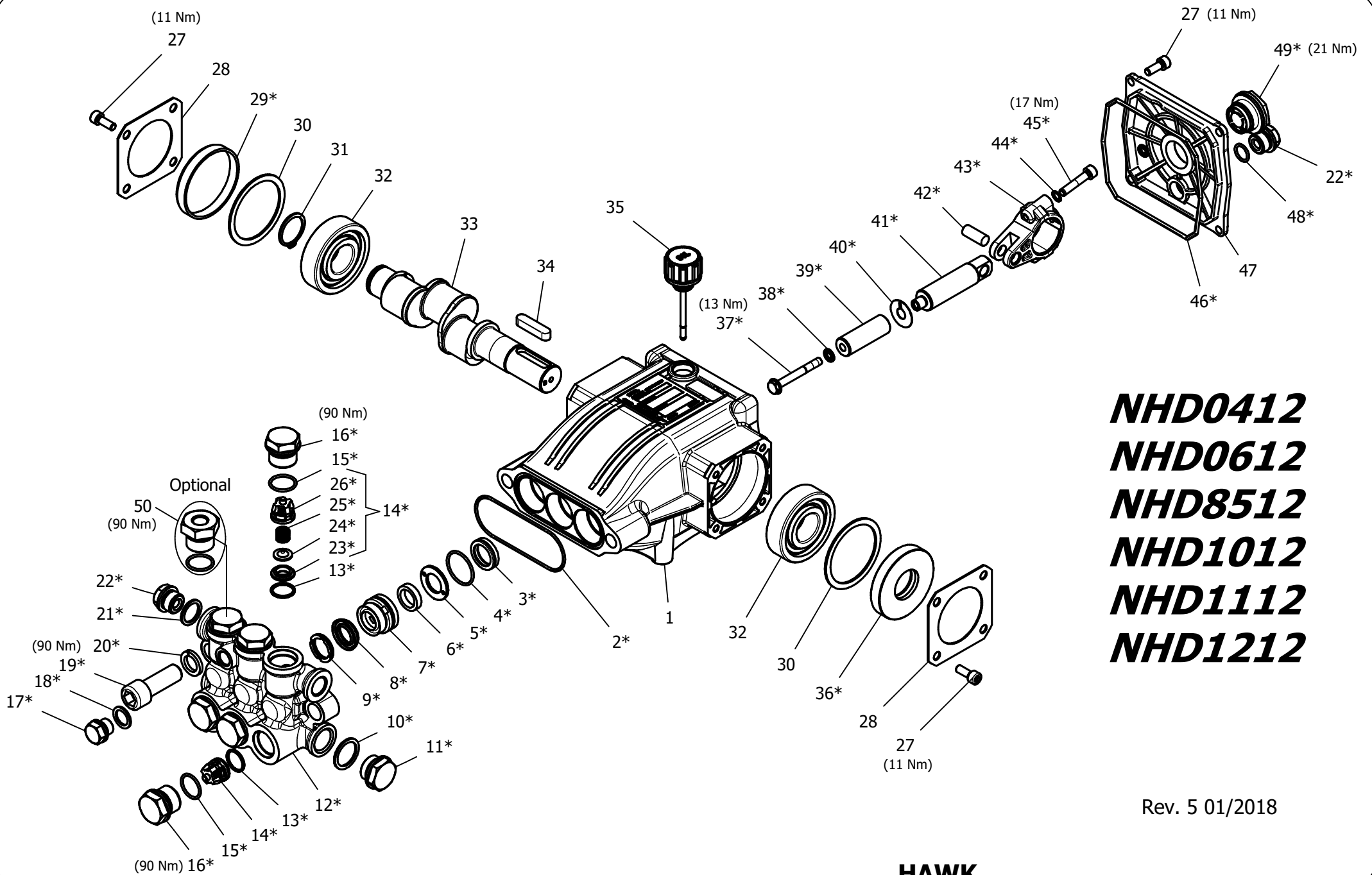
Dimensioni d'ingombro

Overall dimensions



NHD0412R/L - NHD0612R/L





**NHD0412**  
**NHD0612**  
**NHD8512**  
**NHD1012**  
**NHD1112**  
**NHD1212**

Rev. 5 01/2018

**HAWK**  
**Pompe Serie NHD 2014**  
**NHD Pumps 2014 Series**

## NHD 2014 SERIES

### ORDINARY MAINTENANCE KIT / KIT MANUTENZIONE ORDINARIA

KIT	Item Pos.	Part Number Codice	Description	Descrizione	Q.TY by Pump Q.TA per Pompa	NHD0412R/L	NHD0612R/L	NHD8512R/L	NHD1012R/L	NHD1112R/L	NHD1212R/L
A	2- 4- 5- 6- 7- 8 9- 19	1.905-668.0	PLUNGER SEALS DIA. 16 mm	GUARNIZIONI PISTONE Ø16	1						
B	13- 14 (23- 24 25- 26) 15	1.905-617.0	COMPLETE VALVE	VALVOLA COMPLETA	1	•	•	•	•	•	•

### EXTRAORDINARY MAINTENANCE KIT / KIT MANUTENZIONE STRAORDINARIA

KIT	Item Pos.	Part Number Codice	Description	Descrizione	Q.TY by Pump Q.TA per Pompa	NHD0412R/L	NHD0612R/L	NHD8512R/L	NHD1012R/L	NHD1112R/L	NHD1212R/L
C	37- 38- 39- 40	1.099-738.0	PLUNGER DIA. 16 mm	PISTONE Ø16	3						
D	3	1.099-740.0	PLUNGER OIL SEALS	ANELLI TENUTA OLIO ASTA	1						
E	22- 29- 36- 46 48- 49	1.905-624.0	KIT CRANKCASE SEALS	KIT TENUTE CARTER	1						
F	2- 4- 5- 6- 7 8- 9- 10- 11 12- 13- 14 (23 24- 25- 26) 15- 16- 17- 18 19- 20- 21- 22	1.099-741.0	COMPLETE MANIFOLD	TESTATA COMPLETA	1	•	•	•	•	•	•
G	41- 42- 43- 44 45	1.904-183.0	CONNECTING ROD PLUNGER ROD ASSY	PREMONTATO ASTA-BIELLA PISTONE	3						
H	15- 16	1.904-249.0	VALVE PLUG ASSY	PREMONTATO TAPPO VAM	6						

“Q.TY by Pump” => Necessary quantity to repair one pump  
 “Q.TA’ per Pompa” => Quantità necessaria per riparare una pompa

### OPTIONAL

Item Pos.	Part Number Codice	Description	Descrizione	Q.TY by Pump Q.TA per Pompa	NHD0412R/L	NHD0612R/L	NHD8512R/L	NHD1012R/L	NHD1112R/L	NHD1212R/L
50	9.853-424.0	THREADED BRASS PLUG G1/4	PREMONTATO TAPPO FORATO	1	•	•	•	•	•	•

### TOOL KIT

Part Number Codice	Description	Descrizione	Q.TY by Pump Q.TA per Pompa	NHD0412R/L	NHD0612R/L	NHD8512R/L	NHD1012R/L	NHD1112R/L	NHD1212R/L
1.099-668.0	TOOL-KIT	TOOL-KIT	1	•	•	•	•	•	•
1.905-591.0	TOOL-KIT EXTRAORDINARY	TOOL-KIT STRAORDINARIA	1						

#### IMPORTANT

#### IMPORTANTE

\* **Part available ONLY in kit**  
Disponibile SOLO in kit

(...) **Parts pre-assembled**  
Parti pre-assemblate

### PARTS LIST LISTA PARTI

Item Pos	Part Number Codice	Description	Descrizione	KIT	Q.TY Q.TÀ	NHD0412R/L	NHD0612R/L	NHD8512R/L	NHD1012R/L	NHD1112R/L	NHD1212R/L
1	9.850-369.0	CRANKCASE	CARTER		1						
2*		"O" RING Ø1.78X74.5	"O" RING Ø1.78X74.5	A-F	1						
3*		PLUNGER OIL SEAL	ANELLO RADIALE	D	3						
4*		"O" RING Ø1.78X26.7	"O" RING Ø1.78X26.7	A-F	3						
5*		PRESSURE RING WASHER DIA. 16 MM	RONDELLA PRESSORE Ø16	A-F	3						
6*		"U" SEAL, DIA. 16 MM	ANELLO TENUTA "U" Ø16	A-F	3						
7*		PRESSURE RING DIA. 16 MM	PRESSORE "V" Ø16	A-F	3						
8*		"V" SEAL, DIA. 16 MM	ANELLO TENUTA "V" Ø16	A-F	3						
9*		SUPPORT RING DIA. 16 MM	DIFFUSORE Ø16	A-F	1						
10*		COPPER WASHER G1/2	GUARNIZIONE RAME G1/2	F	1						
11*		BRASS PLUG G1/2	TAPPO OTTONE G1/2	F	1						
12*		MANIFOLD HOUSING	TESTATA	F	1						
13*		"O" RING Ø1.78X15.6	"O" RING Ø1.78X15.6	B-F	6						
14*		VALVE ASSEMBLY	VALVOLA PREMONTATA	B-F	6						
15*		"O" RING Ø1,78X18.77	"O" RING Ø1.78X18.77	B-F-H	6						
16*		VALVE PLUG	TAPPO VALVOLA	F-H	6						
17*		BRASS PLUG G1/4	TAPPO OTTONE G1/4	F	1	•	•	•	•	•	•
18*		COPPER WASHER G1/4	GUARNIZIONE RAME G1/4	F	1						
19*		MANIFOLD STUD BOLT M14X40	VITE TCEI M14X40	A-F	2						
20*		LOCK-WASHER	ROSETTA ELASTICA Ø14	F	2						
21*		COPPER WASHER G3/8	GUARNIZIONE RAME G 3/8	F	1						
22*		BRASS PLUG G 3/8	TAPPO OTTONE G 3/8	F-E	2						
23*		VALVE SEAT	SEDE VALVOLA	B-F	6						
24*		VALVE PLATE	PIATTELLO VALVOLA	B-F	6						
25*		VALVE SPRING	MOLLA VALVOLA	B-F	6						
26*		VALVE CAGE	GABBIA VALVOLA	B-F	6						
27	9.851-474.0	SCREW M6X16	VITE TCEI M6X16		12						
28	9.850-379.0	BEARING COVER	COPERCHIO CUSCINETTO		2						
29*		BEARING SEAL	CAPPELLOTTO CUSCINETTO	E	1						
30	9.850-554.0	CRANKSHAFT SEAL SPACER	DISTANZIALE PARAOLIO ALBERO		2						
31	9.851-198.0	SNAP RING DIA. 25 MM	ANELLO Ø25		1						
32	9.850-460.0	BALL BEARING	CUSCINETTO A SFERE		2						
33	9.850-225.0	SINGLE-ENDED SHAFT	ALBERO SEMPLICE P.D.F		1						•
	9.850-226.0	" " "	" " "		1			•			
	9.850-227.0	" " "	" " "		1				•		
	9.851-956.0	" " "	" " "		1						•
	9.850-245.0	" " "	" " "		1	•					
	9.850-246.0	" " "	" " "		1		•				

Item Pos	Part Number Codice	Description	Descrizione	KIT	Q.TY Q.TA	NHD0412R/L	NHD0612R/L	NHD8512R/L	NHD1012R/L	NHD1112R/L	NHD1212R/L
34	9.850-446.0	CRANKSHAFT KEY	CHIAVETTA		1			•	•	•	•
	9.850-443.0	“ “	“		1	•	•				
35	9.851-286.0	OIL DIP STICK	TAPPO LIVELLO OLIO		1						
36*		CRANKSHAFT SEAL	ANELLO RADIALE	E	1						
37*		PLUNGER BOLT	VITE PISTONE	C	3						
38*		COPPER SPACER	ROSETTA RAME	C	3						
39*		PLUNGER DIA. 16 MM	PISTONE Ø16	C	3						
40*		COPPER SPACER	ROSETTA RAME	C	3						
41*		PLUNGER ROD	ASTA PISTONE	G	3						
42*		CONNECTING ROD PIN	SPINOTTO	G	3	•	•	•	•	•	•
43*		CONNECTING ROD	BIELLA	G	3						
44*		SPRING WASHER DIA. 6 MM	ROSETTA SCHNORR Ø6	G	6						
45*		CONNECTING ROD SCREW	VITE M6X30	G	6						
46*		"O" RING Ø2.62X111.62	"O" RING Ø2.62X111.62	E	1						
47	9.850-392.0	CRANKCASE COVER	COPERCHIO POSTERIORE		1						
48*		"O" RING Ø1.78X14	"O" RING Ø1.78X14	E	1						
49*		SIGHT GLASS G3/4	SPIA LIVELLI OLIO G3/4	E	1						