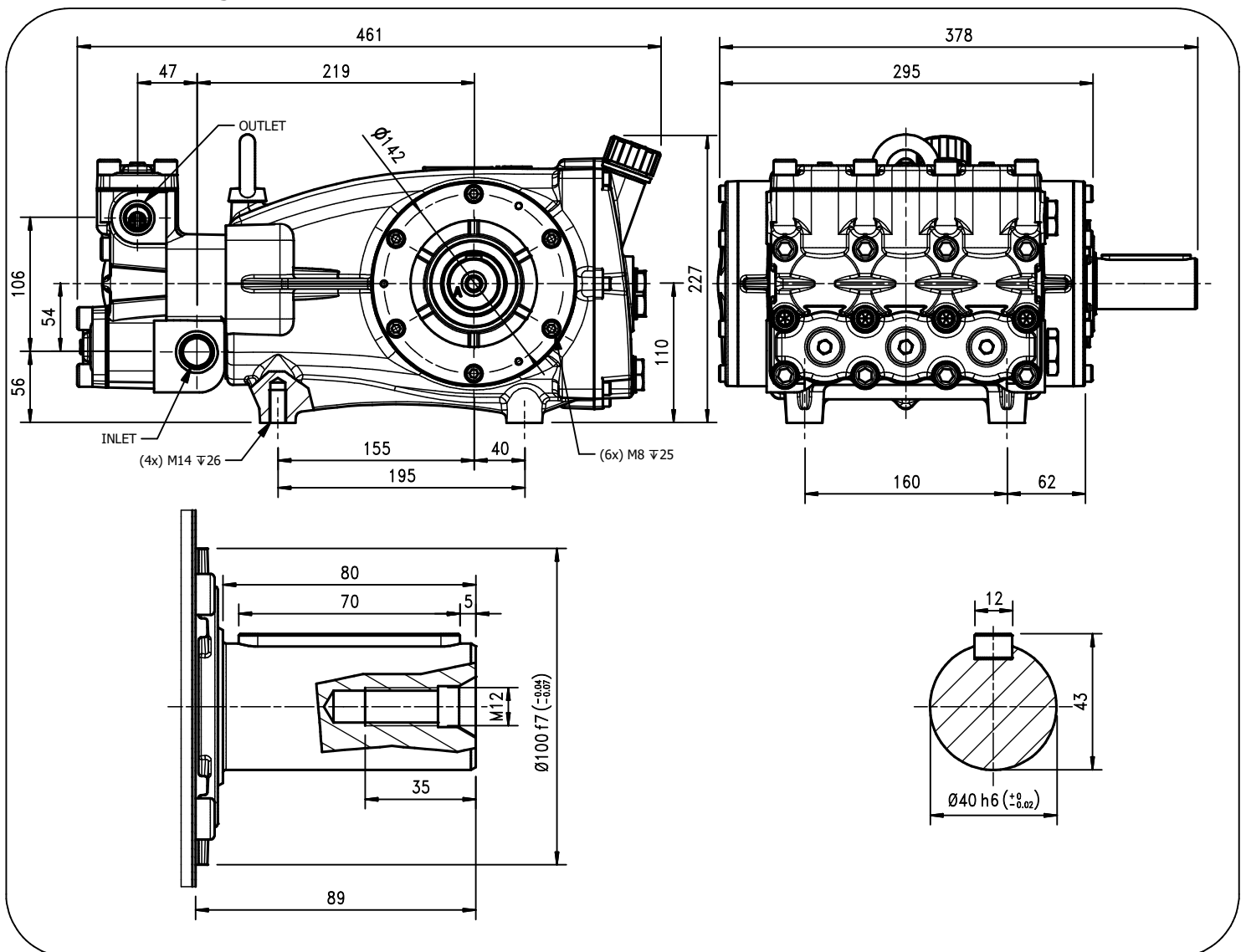
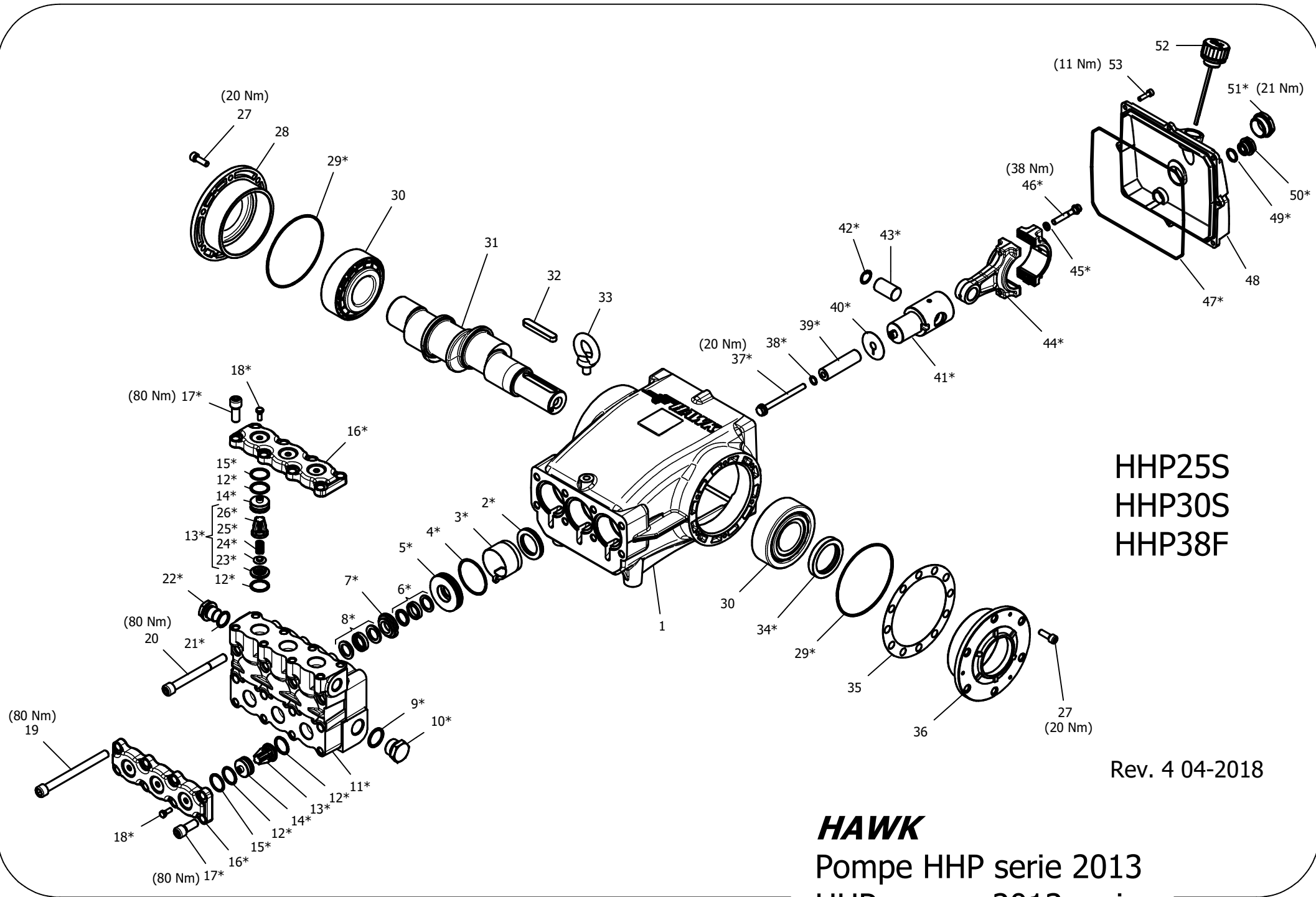


Pump Pompe Pumpen Pompa	Pressure Pression Druck Pressione		Volume Débit Wassermenge Portata		RPM tours/min u.p.m. giri/min	Power Puissance Leistung Potenza		Inlet port Entrée Eingang Aspirazione	Outlet Sortie Ausgang Mandata	Weight Kg Poids Kg Gewicht Kg Peso Kg
	bar	PSI	l/min	GPM		HP	kW			
HHP25S	500	7250	25	6.6	1000	32.6	24.0	G 3/4	G 1/2	51
HHP30S	500	7250	30	7.9	1000	37.0	27.2	G 3/4	G 1/2	51
HHP38F	350	5000	38	10.0	1450	34.1	25.1	G 3/4	G 1/2	51

Dimensioni d'ingombro

Overall dimensions





Rev. 4 04-2018

**HAWK**  
 Pompe HHP serie 2013  
 HHP pumps 2013 series

## HHP 2013 SERIES

### ORDINARY MAINTENANCE KIT / KIT MANUTENZIONE ORDINARIA

KIT	Item Pos.	Part Number Codice	Description	Descrizione	Q.TY by Pump Q.TA per Pompa	HHP25SR/L	HHP30SR/L	HHP38FR/L
A	4- 6- 8	1.099-821.0	PLUNGER SEALS DIA. 20 mm	GUARNIZIONI PISTONE Ø20	1	•	•	•
B	12- 13 (23- 24 25- 26) 15	1.905-712.0	COMPLETE VALVE	VALVOLA COMPLETA	1			•
		1.905-713.0	COMPLETE VALVE	VALVOLA COMPLETA	1	•	•	

### EXTRAORDINARY MAINTENANCE KIT / KIT MANUTENZIONE STRAORDINARIA

KIT	Item Pos.	Part Number Codice	Description	Descrizione	Q.TY by Pump Q.TA per Pompa	HHP25SR/L	HHP30SR/L	HHP38FR/L
C	4- 5- 6- 7- 8	1.905-714.0	COMPLETE SEALS PACKING DIA. 20 mm	PACCO COMPLETO GUARNIZIONI PISTONE Ø20	1			
D	37- 38- 39- 40	1.099-823.0	PLUNGER DIA. 20 mm	PISTONE Ø20	3			
E	3x (2- 3)	1.099-817.0	PLUNGER OIL SEALS	ANELLI TENUTA OLIO ASTA	1	•	•	•
F	29- 34- 47- 49- 50 51- 52	1.905-706.0	KIT CRANKCASE SEALS	KIT TENUTE CARTER	1			
G	4- 5- 6- 7- 8- 9- 10 11- 12- 13 (23- 24 25- 26) 14- 15- 16 17- 18- 19- 20- 21- 22	1.099-828.0	COMPLETE MANIFOLD	TESTATA COMPLETA	1			•
		1.099-829.0	COMPLETE MANIFOLD	TESTATA COMPLETA	1	•	•	
H	37- 38- 40- 41- 42 43- 44- 45- 46	1.905-707.0	CONNECTING ROD PLUNGER ROD ASSY	PREMONTATO ASTA-BIELLA PISTONE	3	•	•	•

“Q.TY by Pump” => Necessary quantity to repair one pump  
 “Q.TA’ per Pompa” => Quantità necessaria per riparare una pompa

## TOOL KIT

<i>Part Number Codice</i>	<i>Description</i>	<i>Descrizione</i>	<i>Q.TY by Pump Q.TA per Pompa</i>	<i>HHP25SR/L</i>	<i>HHP30SR/L</i>	<i>HHP38FR/L</i>
1.904-204.0	TOOL-KIT	TOOL-KIT	1	•	•	•



### **IMPORTANT**

### **IMPORTANTE**

**\*** *Part available ONLY in kit*  
**Disponibile SOLO in kit**

**(...)** **Parts pre-assembled**  
**Parti pre-assemblate**

### PARTS LIST LISTA PARTI

Item Pos	Part Number Codice	Description	Descrizione	KIT	Q.TY Q.TÀ	HHP25SR/L	HHP30SR/L	HHP38FR/L
1	9.851-902.0	CRANKCASE	CARTER		1			
2*		PLUNGER OIL SEAL	ANELLO RADIALE	E	3			
3*		PLASTIC BUSHING	BOCCOLA CORTECO ASTE	E	3			
4*		"O" RING Ø2.62X56,82	"O" RING Ø2.62X56,82	A-C-G	3			
5*		PRESSURE RING 20 MM	PRESSORE "U" Ø20	C-G	3			
6*		"U" SEAL, Ø20X28 MM	ANELLO TENUTA "U" Ø20x28	A-C-G	3	•	•	•
7*		INTERMED. RING 20MM	DIFFUSORE INTER. Ø20	C-G	3			
8*		"U" SEAL, Ø20X30 MM	ANELLO TENUTA "U" Ø20x30	A-C-G	3			
9*		COPPER WASHER	GUARNIZIONE RAME G 3/4	G	1			
10*		STAINLESS STEEL PLUG G 3/4	TAPPO G ¾ INOX	G	1			
11*		MANIFOLD HOUSING	TESTATA	G	1	•	•	
		MANIFOLD HOUSING	TESTATA	G	1			•
12*		"O" RING Ø2.62X25,07	"O" RING Ø2.62X25,07	B-G	12			•
		"O" RING Ø2.62X22,22	"O" RING Ø2.62X22,22	B-G	12	•	•	
13*		VALVE ASSEMBLY	VALVOLA PREMONTATA	B-G	6			•
		VALVE ASSEMBLY	VALVOLA PREMONTATA	B-G	6	•	•	
14*		VALVE PLUG	TAPPO VALVOLA	G	6			•
		VALVE PLUG	TAPPO VALVOLA	G	6	•	•	
15*		BACK RING	ANELLO ANTIESTRUSIONE	G	6			•
		BACK RING	ANELLO ANTIESTRUSIONE	G	6	•	•	
16*		VALVES COVER	COPERCHIO VAM	G	2			
17*		VALVE COVER SCREW	VITE TCEI M12X30 UNI 5931	G	12			
18*		VALVE PLUG SCREW	VITE TE M6X16 UNI 5739	G	6			
19	9.851-471.0	MANIFOLD STUD BOLT	VITE TCEI M12X140 UNI 5931		4	•	•	•
20	9.851-472.0	MANIFOLD STUD BOLT	VITE TCEI M12X120 UNI 5931		4			
21*		COPPER WASHER	GUARNIZIONE RAME G 1/2	G	1			
22*		STAINLESS STEEL PLUG G1/2	TAPPO G1/2 INOX	G	1			
23*		VALVE SEAT	SEDE VALVOLA	B-G	6			•
		VALVE SEAT	SEDE VALVOLA	B-G	6	•	•	
24*		VALVE PLATE	PIATTELLO VALVOLA	B-G	6			
25*		VALVE SPRING	MOLLA VALVOLA	B-G	6			
26*		VALVE CAGE	GABBIA VALVOLA	B-G	6			
27	9.851-468.0	BEARING HOUSING SCREW	VITE TCEI M8X25 UNI 5931		12	•	•	•
28	9.850-646.0	CLOSED BEARING SCREW	FLANGIA CHIUSA		1			
29*		"O" RING Ø2.62X120.32	"O" RING Ø2.62X120.32	F	2			
30	9.850-353.0	ROLLER BEARING	CUSCINETTO 32310 RULLI CONICI		2			
31	9.850-182.0	SINGLE-ENDED CRANCKSHAFT	ALBERO SINGOLA P.D.F		1			•
	9.850-185.0	" " "	" " "		1	•		
	9.850-186.0	" " "	" " "		1		•	

Item Pos	Part Number Codice	Description	Descrizione	KIT	Q.TY Q.TÀ	HHP25SR/L	HHP30SR/L	HHP38FR/L
32	9.850-449.0	CRANKSHAFT KET	CHIAVETTA		1			
33	9.851-454.0	EYEBOLT	GOLFARE M12		1			
34*		CRANKSHAFT SEAL	ANELLO RADIALE	F	1			
35	9.850-549.0	SHIM	DISTANZIALE		1			
36	9.850-645.0	BEARING HOUSING	FLANGIA APERTA		1			
37*		PLUNGER BOLT	VITE PISTONE	D-H	3			
38*		"O" RING Ø1.78X11.11	"O" RING Ø1.78X11.11	D-H	3			
39*		PLUNGER DIA. 20	PISTONE Ø20	D	3			
40*		COPPER SPACER	ROSETTA RAME PISTONE	D	3			
41*		PLUNGER ROD	ASTA PISTONE	H	3			
42*		SNAP RING	ANELLO Ø22	H	6			
43*		CONNECTING ROD PIN	SPINOTTO	H	3			
44*		CONNECTING ROD	BIELLA	H	3			
45*		SPRING WASHER	ROSETTA ELASTICA Ø8	H	6			
46*		CONNECTING ROD SCREW	VITE BIELLA	H	6			
47*		"O" RING Ø2.62X209.23	"O" RING Ø2.62X209.23	F	1			
48	9.850-386.0	CRANKCASE COVER	COPERCHIO CARTER		1			
49*		"O" RING Ø2.62X17.13	"O" RING Ø2.62X17.13	F	1			
50*		BRASS PLUG G 1/2	TAPPO OTTONE G 1/2	F	1			
51*		SIGHT GLASS, G 1"	SPIA LIVELLO OLIO G1"	F	1			
52*		OIL DIP STICK G 3/4	TAPPO SFIATO OLIO G 3/4	F	1			
53	9.851-480.0	COVER SCREW	VITE COPERCHIO		5			