

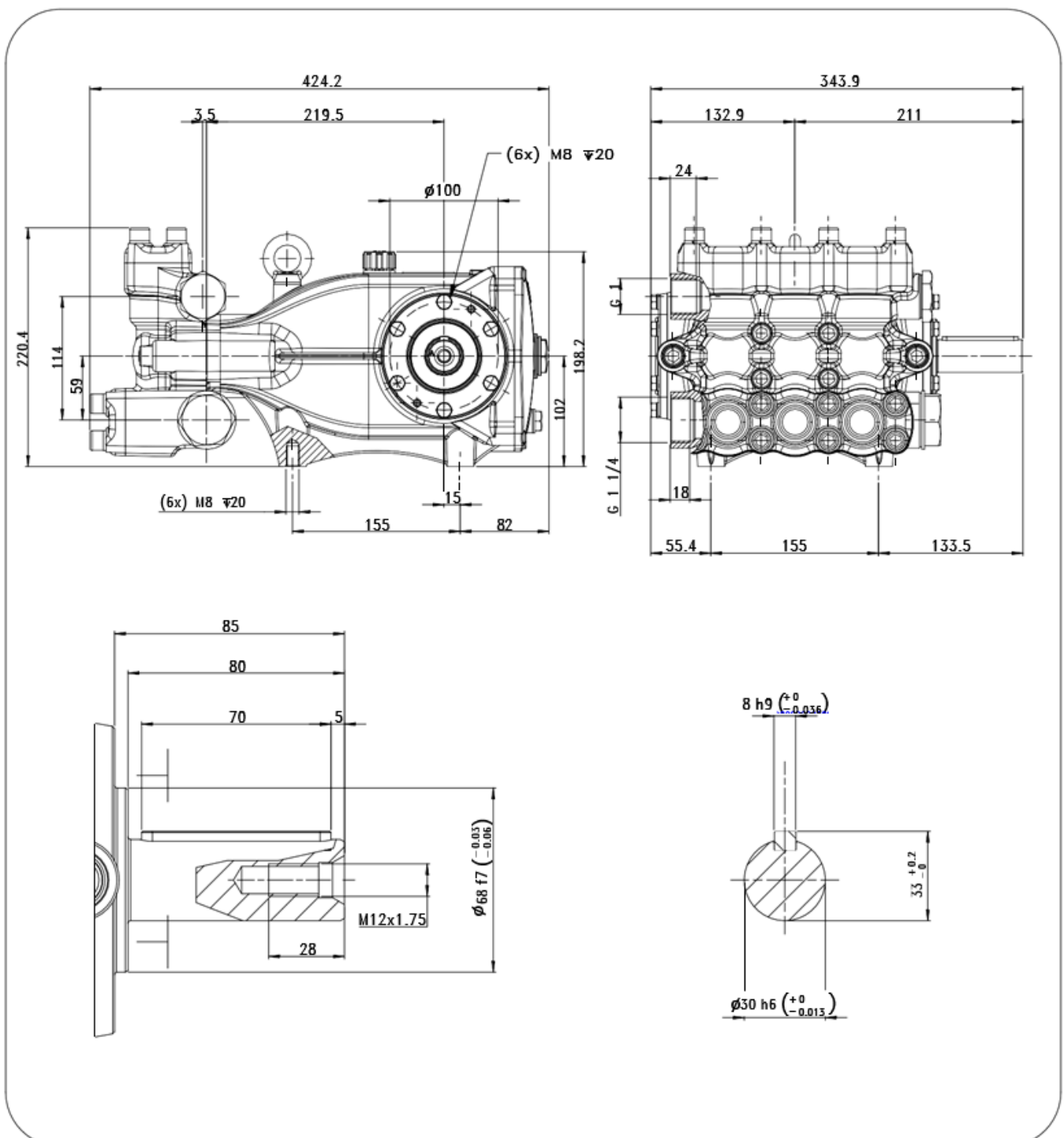
MXT 2025 – 150 l/min – 130 l/min

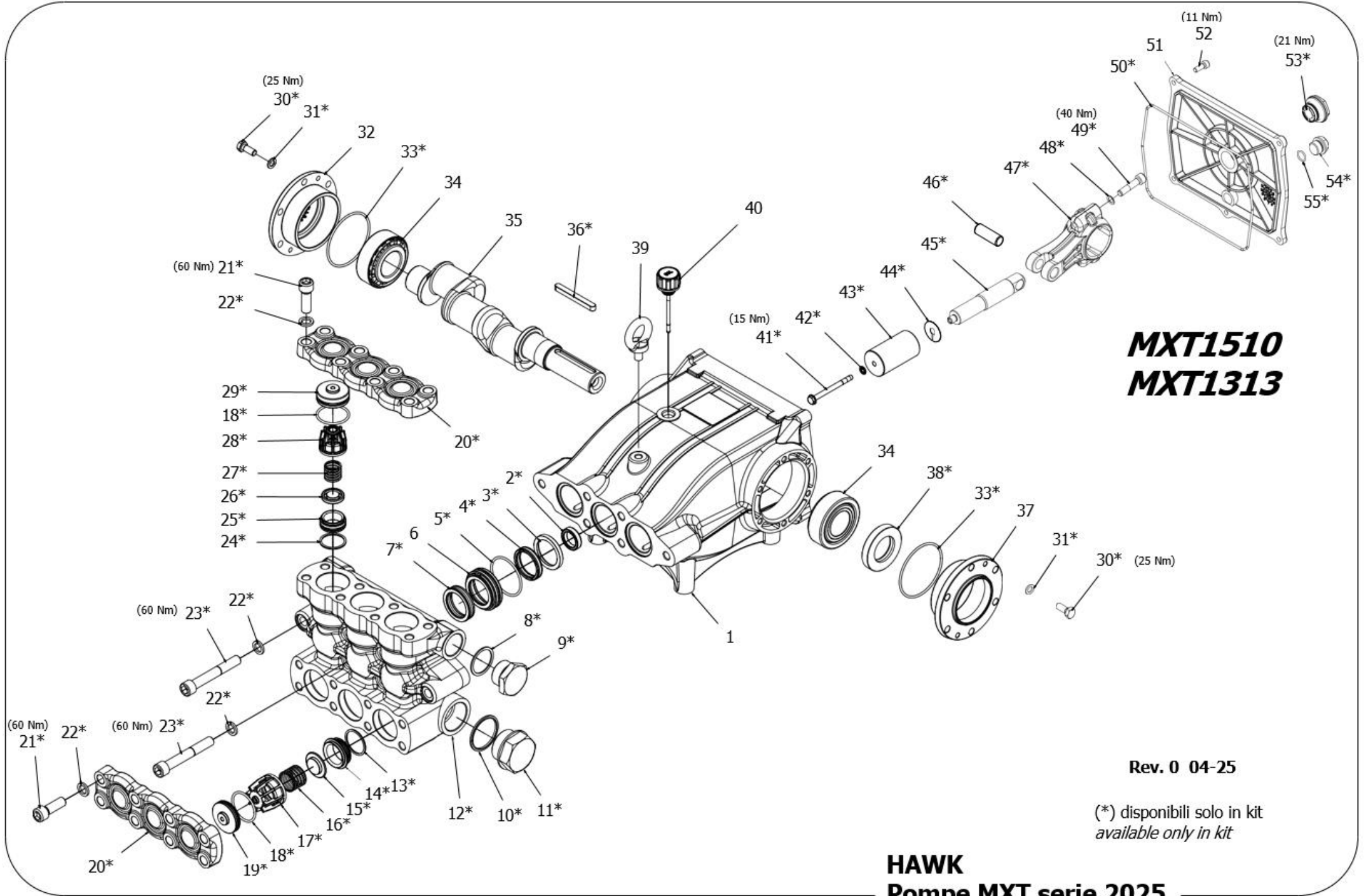
Caratteristiche Tecniche

Albero maschio Ø 40 – Solid shaft Ø30

Technical Characteristics

| Pump Pompa | Pressure Pressione | | Volume Portata | | RPM | Power Potenza | |
|---------------|-----------------------|------|-------------------|------|----------|------------------|------|
| | bar | PSI | l/min | GPM | giri/min | HP | kW |
| MXT1510 | 100 | 1450 | 150 | 39,6 | 1450 | 37,7 | 27,7 |
| MXT1313 | 130 | 1885 | 126 | 33,3 | | 40,6 | 30,3 |





MXT1510
MXT1313

Rev. 0 04-25

(*) disponibili solo in kit
available only in kit

HAWK
Pompe MXT serie 2025
MXT pumps 2025 series

MXT SERIES 2025

ORDINARY MAINTENANCE KIT / KIT MANUTENZIONE ORDINARIA

| KIT | Item Pos | Part Number Codice | Description | Descrizione | Q.TY per pump - Q.TÀ per pompa | MXT1015 | MXT1313 |
|-----|-------------------|--------------------|-------------------------|---------------------|--------------------------------|---------|---------|
| A | 4- 5- 7 | 1.905-294.0 | PISTON SEAL PACKING Ø36 | KIT GUARNIZIONI Ø36 | 1 | | |
| B | 13-14-15-16-17-18 | 1.905-295.0 | INLET VALVE | KIT VAM ASPIRAZIONE | 1 | • | • |
| C | 24-25-26-27-28 | 1.905-296.0 | OUTLET VALVE | VALVOLA MANDATA | 1 | | |

EXTRAORDINARY MAINTENANCE KIT / KIT MANUTENZIONE STRAORDINARIA

| KIT | Item Pos | Part Number Codice | Description | Descrizione | Q.TY per pump - Q.TÀ per pompa | MXT1015 | MXT1313 |
|-----|---------------------------------------------------------------------------------------------------------------------------------|--------------------|------------------------------|--------------------------|--------------------------------|---------|---------|
| D | 2 | 1.099-766.0 | PLUNGER OIL SEALS | TENUTE OLIO ASTA PISTONE | 1 | | |
| E | 41 - 42- 43- 44 | 1.905-297.0 | PLUNGER | PISTONE | 3 | | |
| F | 33- 38- 50- 53- 54- 55 | 1.099-805.0 | KIT CRANCKASE SEALS | KIT TENUTE CARTER | 1 | | |
| G | 41 -42- 43 - 41 | 1.905-298.0 | KIT PLUNGER - CONNECTING ROD | KIT ASTA PISTONE-BIELLA | 3 | • | • |
| H | 3- 4- 5- 6- 7 | 1.905-299.0 | COMPLETE SEAL PACKING | KIT COMPLETO GUARNIZIONI | 1 | | |
| I | 3 - 4 - 5 - 6 - 7 - 8 - 9 - 10 - 11 - 12 - 13 - 14 - 15 - 16 - 17 - 18 - 19 - 20 - 21 - 22 - 23 - 24 - 25 - 26 - 27 - 28 - 29 - | 1.905-300.0 | COMPLETE CYLINDER HEAD | TESTATA COMPLETA | 1 | | |

“Q.TY by Pump” => Necessary quantity to repair one pump
 “Q.TA’ per Pompa” => Quantità necessaria per riparare una pompa

| Part number Codice | Description | Descrizione |
|--------------------|------------------------|------------------------|
| 1.905-301.0 | TOOL KIT MXT Ø36 | TOOL KIT MXT Ø36 |
| 1.904-418.0 | TOOL KIT EXTRAORDINARY | TOOL KIT STRAORDINARIA |

IMPORTANT IMPORTANTE

* Part available ONLY in kit
 Disponibile SOLO in kit

(...) Parts pre-assembled
 Parti pre-assemblate

PARTS LIST LISTA PARTI

| Item Pos | Part Number Codice | Description | Descrizione | KIT | Q.TY Q.TÀ | MX1510 | MX1313 |
|----------|--------------------|------------------------|-------------------------|-----------|-----------|--------|--------|
| 1 | 9.854-160.0 | CRANCKCASE | CARTER | | 1 | | |
| 2* | | PLUNGER OIL SEAL | ANELLO RADIALE | D | 3 | | |
| 3* | | SUPPORT RING Ø36 | PRESSORE Ø36 | H - I | 3 | | |
| 4* | | LOW PRESSURE SEAL | GUARN. B.P. | A - H - I | 3 | | |
| 5* | | O-RING 3200 | O - RING | A - H - I | 3 | | |
| 6* | | INTERMEDIATE RING | DIFFUSORE | H - I | 3 | | |
| 7* | | HIGHT PRESSURE SEAL | GUARN. "U" AP | A - H - I | 3 | | |
| 8* | | COPPER SPACER G1" | GUARNIZIONE G1" | I | 3 | | |
| 9* | | BRASS PLUG G1" | TAPPO G1" | I | 1 | | |
| 10* | | COPPER SPACER G1"1/4" | GUARNIZIONE G 1" 1/4" | I | 1 | | |
| 11* | | BRASS PLUG G1" 1/4 | TAPPO G1" 1/4 | I | 1 | | |
| 12* | | MANIFOLD HOUSING Ø36 | TESTATA OTTONE Ø36 | I | 1 | | |
| 13* | | O- RING Ø2.62x31.42 | O-RING Ø2.62x31.42 | B - I | 3 | | |
| 14* | | SUCTION VALVE SEAT | SEDE VAM ASPIRAZIONE | B - I | 3 | | |
| 15* | | VALVE PLATE | PIATTELLO VAM | B - I | 3 | | |
| 16* | | SPRING | MOLLA ASPIRAZIONE | B - I | 3 | | |
| 17* | | VALVE CAGE | GABBIA VAM | B - I | 3 | | |
| 18* | | O-RING3150 Ø2,62x37,77 | O-RING 3150 Ø2,62x37,77 | B - I | 6 | | |
| 19* | | VALVE PLUG | TAPPO VAM ASPIRAZIONE | I | 3 | | |
| 20* | | MANIFOLD HOUSING COVER | COPERCHIO TESTATA | I | 2 | | |
| 21* | | WASHER | ROSETTA | I | 22 | | |
| 22* | | COVER SCREW | VITE COPERCHIO TESTATA | I | 16 | | |
| 23* | | SCREW MANIFOLD | VITE TESTATA | I | 6 | | |
| 24* | | O-RING | O-RING | C - I | 3 | | |
| 25* | | VALVE SEAT | SEDE VAM | C - I | 3 | | |
| 26* | | VALVE PLATE | PIATTELLO VAM | C - I | 3 | | |
| 27* | | VALVE SPRING | MOLLA VAM | C - I | 3 | | |
| 28* | | VALVE CAGE | GABBIA | C - I | 3 | | |
| 29* | | VALVE PLUG | TAPPO VAM | I | 3 | | |
| 30* | 9.851-503.0 | BEARING HOUSING SCREW | VITE FLANGIA CUSCINETTI | | 12 | | |
| 31* | 9.851-114.0 | WASHER | ROSETTA M8 UNI 6592V | | 12 | | |
| 32* | 9.850-641.0 | BEARING HOUSING | FLANGIA CHIUSA | | 1 | | |
| 33 | | O-RING | O-RING | F | 2 | | |
| 34 | 9.851-963.0 | ROLLER BEARING | CUSCINETTO | | 2 | | |
| 35 | 9.850-229.0 | CRANKSHAFT SPTO Ø30 | ALBERO SPTO Ø30 | | 1 | | |
| | 9.850-231.0 | CRANKSHAFT SPTO Ø30 | ALBERO SPTO Ø30 | | 1 | | |

| Item Pos | Part Number Codice | Description | Descrizione | | Q.TY Q.TÀ | MX1510 | MX1313 |
|----------|--------------------|----------------------|------------------------|---|--------------|--------|--------|
| 36 | 9.850-450.0 | CRANKSHAFT KEY | LINGUETTA | | 1 | | |
| 37 | 9.850-642.0 | BEARING HOUSING | FLANGIA APERTA | | 1 | | |
| 38* | | PLUNGER OIL SEAL | ANELLO RADIALE | F | 1 | | |
| 39 | 9.851-457.0 | EYEBOLT | GOLFARE | | 1 | | |
| 40 | 9.851-287.0 | OIL DIP STICK | TAPPO SFIATO OLIO | | 1 | | |
| 41 | | PLUNGER INOX SCREW | VITE INOX PISTONE | E | 3 | | |
| 42 | | PLINGER WASHER | BONDED SEAL | E | 3 | | |
| 43 | | PLUNGER | PISTONE | E | 3 | | |
| 44* | | COPPER SPACER | ROSETTA DI RAME | E | 3 | | |
| 45* | | PLUNGER ROD | ASTA GUIDA PISTONE | G | 3 | | |
| 46* | | CONNECTING ROD PIN | SPINOTTO | G | 3 | | |
| 47 | | CONNECTING ROD | BIELLA | G | 3 | | |
| 48* | | SCHNORR WASHER | ROSETTA SCHNORR | G | 6 | | |
| 49* | | CONNECTING ROD SCREW | VITE BIELLA | G | 6 | | |
| 50* | | O-RING | O-RING | F | 1 | | |
| 51 | 9.850-393.0 | CRANKCASE COVER | COPERCHIO POSTERIORE | | 1 | | |
| 52 | 9.851-474.0 | COVER SCREW | VITE COPERCHIO | | 5 | | |
| 53* | | SIGHT GLASS G 3/4" | SPIA LIVELLO OLIO G3/4 | F | 1 | | |
| 54* | | BRASS PLUG G3/8" | TAPPO G3/8" | F | 1 | | |
| 55* | | O-RING | O-RING | F | 1 | | |