

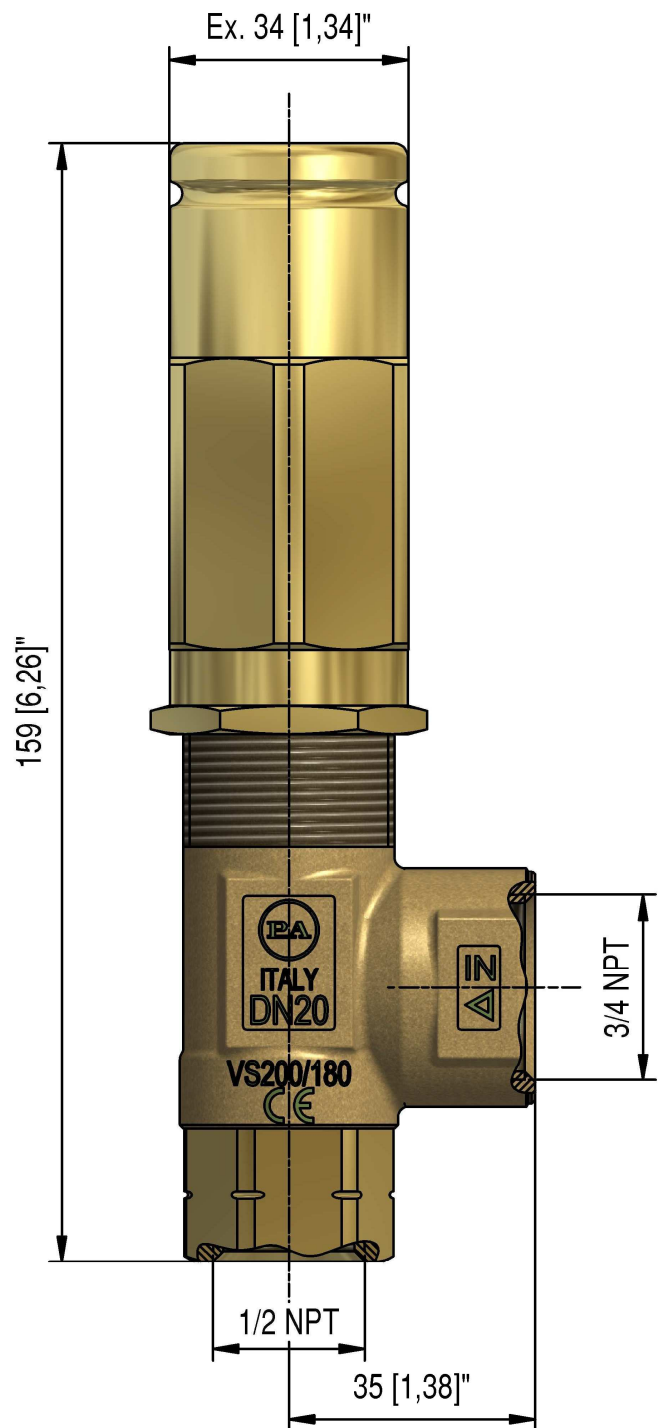
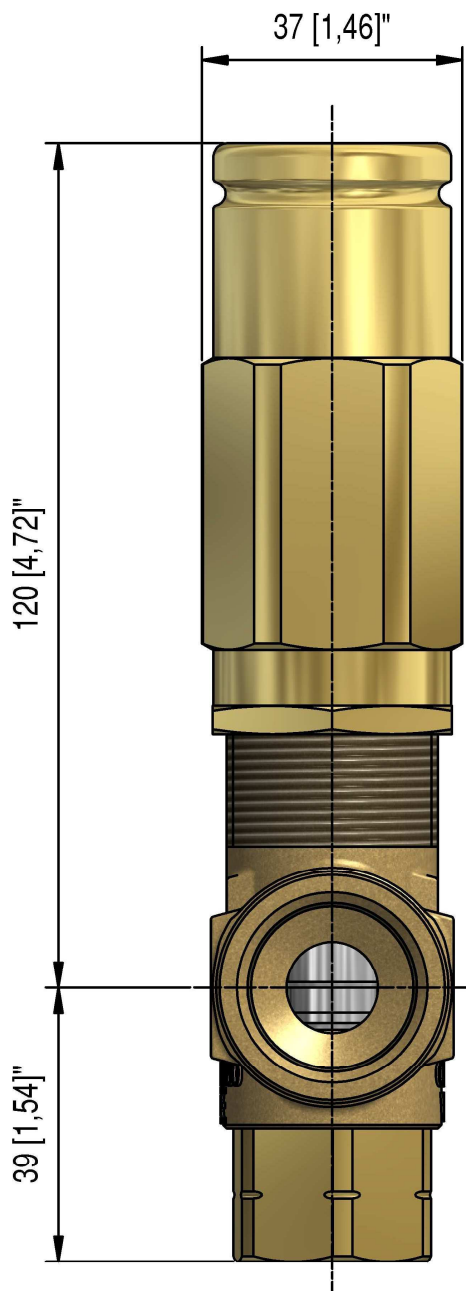
CARATTERISTICHE TECNICHE

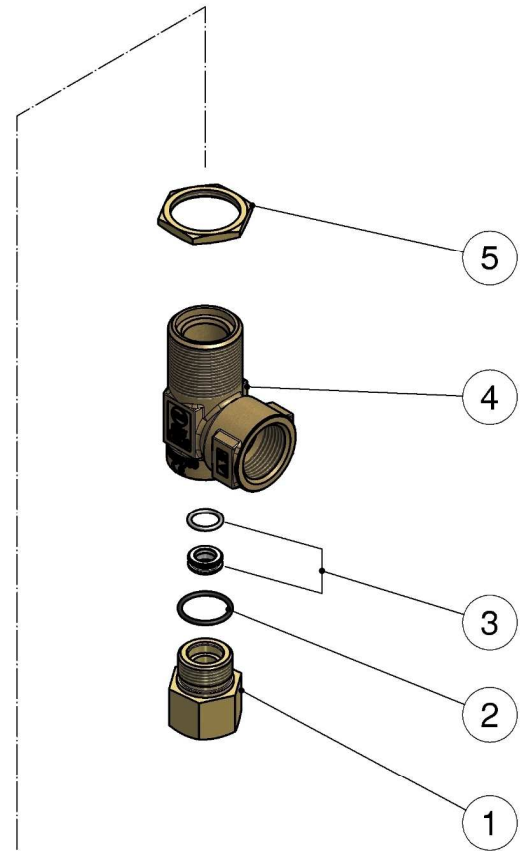
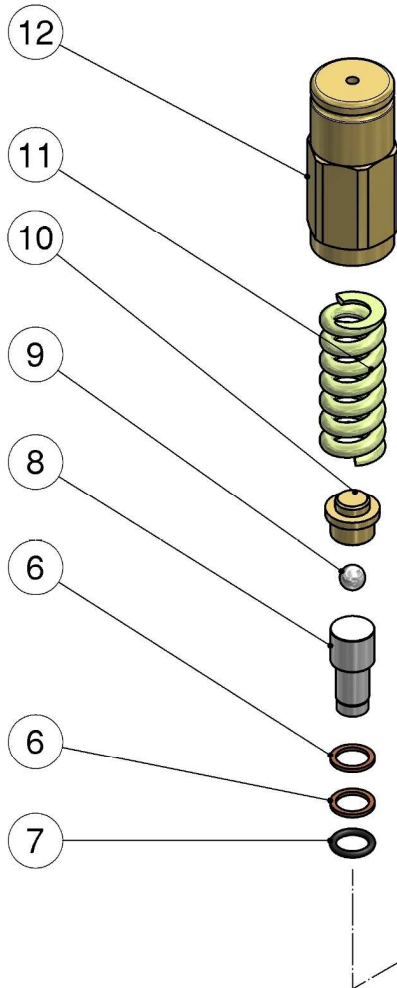
TECHNICAL CHARACTERISTICS

Codice Part No.	Pressione Max Max Pressure		Portata Flow rate		Temp. Max Max Temp.	Inlet Port Entrata	Outlet Port Uscita
	bar	PSI	l/min	GPM	°C		
1.099-503.0	180	2600	200	52.8	65	G3/4" F	G1/2" F

DIMENSIONI D'INGOMBRO

OVERALL DIMENSIONS





SPARE PARTS KIT

KIT RICAMBIO

CODICE CODE	POS.	Q.TA' Q.TY
1.099-981.0	2	1
	3	1
	6	2
	7	1
	8	1