

PM56 Series

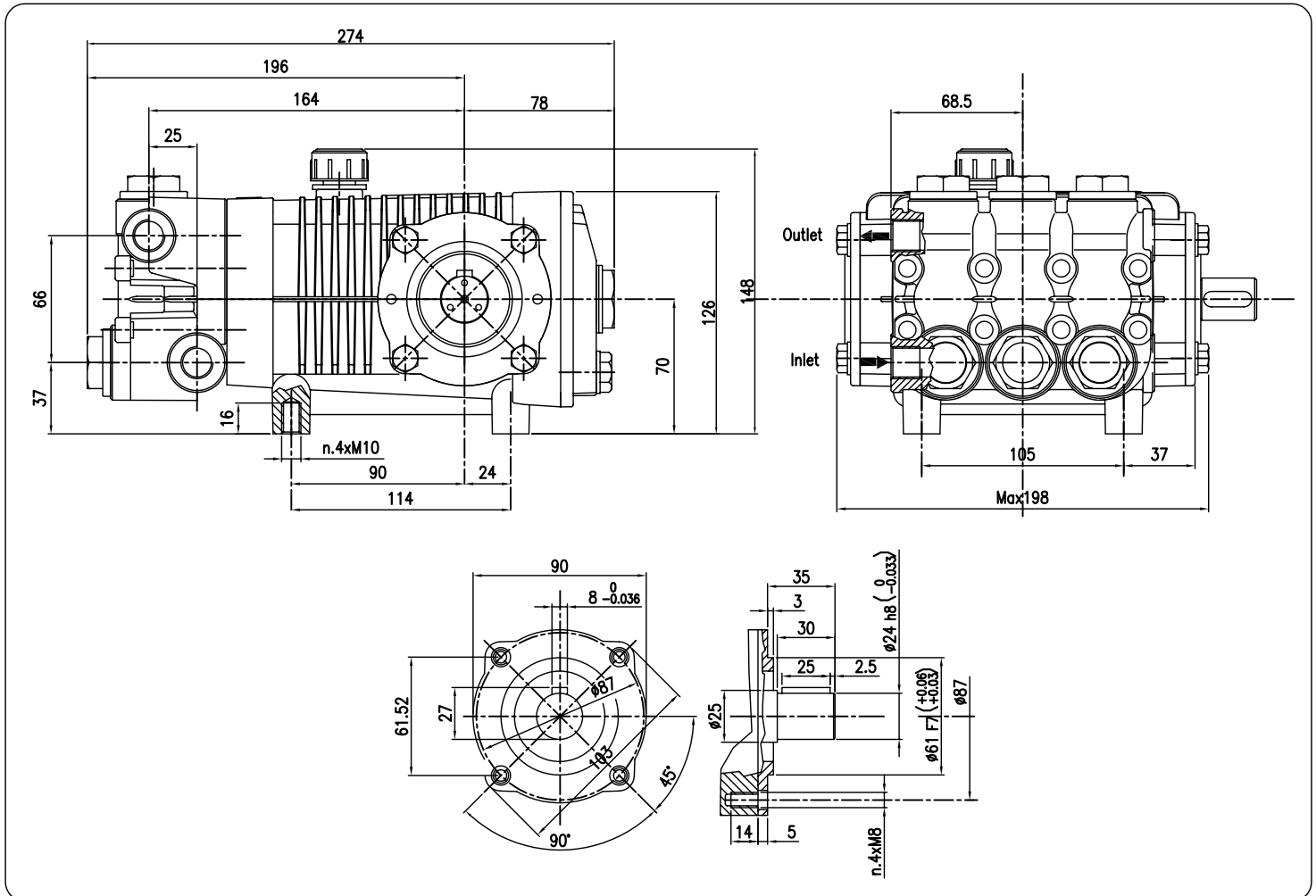
Caratteristiche Tecniche

Technical Characteristics

Pump Pompe Pumpen Pompa	Pressure Pression Druck Pressione		Volume Débit Leistung Portata		RPM tours/min u.p.m. giri/min	Required HP Puissance HP Leistung HP Potenza HP	Inlet port Entrée Eingang Aspirazione	Outlet Sortie Ausgang Mandata	Weight Kg Poids Kg Gewicht Kg Peso Kg
	bar	PSI	l/min	GPM					
PM56R/L	250	3600	15		1450	7	G 1/2	G 3/8	10
			18	4.75	1725	8.5			

Dimensioni d'ingombro

Overall dimensions



Lubrificazione: Olio SAE 20/40W
Capacità 0.7 Litri

Lubrication: SAE 20/40W Oil
Capacity 0.7 Litri

Pos. Item	Codice Part Number	Description	Descrizione	Q.tà/Pompa Q.ty/Pump	PM56		
1	0202.33	Crankcase	Carter	1			
2	0602.01	Plunger guide	Guida asta pistone	3	◆		
*3	0001.03	Plunger oil seal	Anello radiale	3			
*4	0601.07	"O" Ring Ø1.78x31,47	"O" Ring Ø1.78x31,47	3			
*5	0002.04	"V" seal, dia.18mm	Anello tenuta "V" Ø18	6	◆		
*6	1201.06	Pressure ring 18mm	Pressore Ø18	3	◆		
*7	0300.07	Support ring 18mm	Diffusore Ø18	6	◆		
*8	0300.11	Intermed. ring 18mm	Diffusore Intermed. Ø18	3	◆		
9	1601.20	Brass plug G1/2	Tappo G1/2	1			
10	0603.07	Copper washer 1/2	Guarnizione rame G1/2	1			
11	1602.16	Manifold housing	Testata	1			
*12	0601.19	"O" Ring Ø2.62x17.13	"O" Ring Ø2.62x17.13	6			
*13	3604.70	Valve assembly	Valvola premontata	6			
*14	0601.65	"O" Ring Ø2.62x20.29	"O" Ring Ø2.62x20.29	6			
15	1601.30	Valve plug	Tappo valvola	6			
16	1801.03	Manifold stud bolt	Vite M8x65	8			
17	1400.01	Washer	Rosetta Ø8.5	16			
18	0603.06	Copper washer 3/8	Guarnizione rame G3/8	1	◆		
19	1601.17	Brass plug 3/8	Tappo G3/8	2			
20	1503.18	Valve seat	Sede valvola	6			
21	1202.00	Valve plate	Piattello valvola	6			
22	0900.30	Valve spring	Molla valvola	6			
23	0604.05	Valve cage	Gabbia valvola	6			
24	1802.03	Hexagonal screw	Vite M8x18	8			
25	0500.61	Closed bearing housing	Flangia chiusa	1			
26	0601.63	"O" Ring Ø1.78x60.05	"O" Ring Ø1.78x60.05	2			
27	0200.06	Roller bearing	Cuscinetto a rulli	2			
28	0004.90	Crankshaft	Albero eccentrico	1	◆		
29	0206.00	Crankshaft key	Chiavetta	1			
30	1600.06	Oil dip stick	Tappo livello olio	1			
31	0001.02	Crankshaft seal	Anello radiale	1			
32	0301.02	Shim	Distanziale	2			
33	0500.60	Bearing housing	Flangia	1	◆		
*34	1800.01	Plunger bolt	Vite pistone	3			
*35	1400.12	Copper spacer	Rosetta rame	3			
*36	0601.03	"O" Ring Ø1.78x7.66	"O" Ring Ø1.78x7.66	3			
*37	0009.04	Teflon ring	Anello antiestrusione	3			
*38	1200.09	Plunger 18mm	Pistone Ø18	3	◆		
*39	1400.15	Copper spacer	Rosetta rame	3			
40	0003.01	Plunger rod	Asta pistone	3			
41	0100.01	Connecting rod	Biella completa	3			
42	1500.01	Snap ring	Anello Ø10	6	◆		
43	1502.01	Connecting rod pin	Spinotto	3			
44	1401.02	Spring washer	Rosetta elastica Ø6	6			
45	1801.05	Connecting rod screw	Vite M6x25	6			

SPARE PARTS LIST

PM56

LISTA RICAMBI

Pos. Item	Codice Part Number	Description	Descrizione	Q.tà/Pompa Q.ty/Pump	PM56		
46	0601.88	"O" Ring Ø2.62x126.67	"O" Ring Ø2.62x126.67	1			
47	0203.53	Crankcase cover	Coperchio	1			
48	0601.14	"O" Ring Ø1.78x14	"O" Ring Ø1.78x14	1	◆		
49	0700.05	Sight glass, G3/4	Spia livello olio G3/4	1			
50	1801.12	Cover screw	Vite M6x16	4			
		Part available in kit only	Particolare disponibile solo in kit				
*		Part available in kit also	Particolare disponibile anche in kit				

SPARE PARTS KIT

KIT RICAMBI

Posizioni Item	Part Number & Description	Codice e Descrizione	Q.tà/Pompa Q.ty/Pump	PM50		
4- 5- 7	2612.06 Plunger Seals 18 mm	2612.06 Guarnizioni pistone Ø18	1	◆		
3- 4- 5- 6- 7- 8	2612.05 Complete seal Packing 18 mm	2612.05 Pacco completo Guarnizioni pistone Ø18	3	◆		
34- 35- 36- 37 38- 39	2612.07 Plunger 18 mm	2612.07 Pistone Ø18	3	◆		
12- 13- 14	2600.08 Complete Valve	2600.08 Valvola completa	6	◆		
3	2600.27 Plunger oil Seals	2600.27 Anelli tenuta olio Asta	1	◆		