

PM3046G
 PM3546G
 PM4046G
 PM5036G

Hawk pumps
 PM series 2008

PM 2008 Series

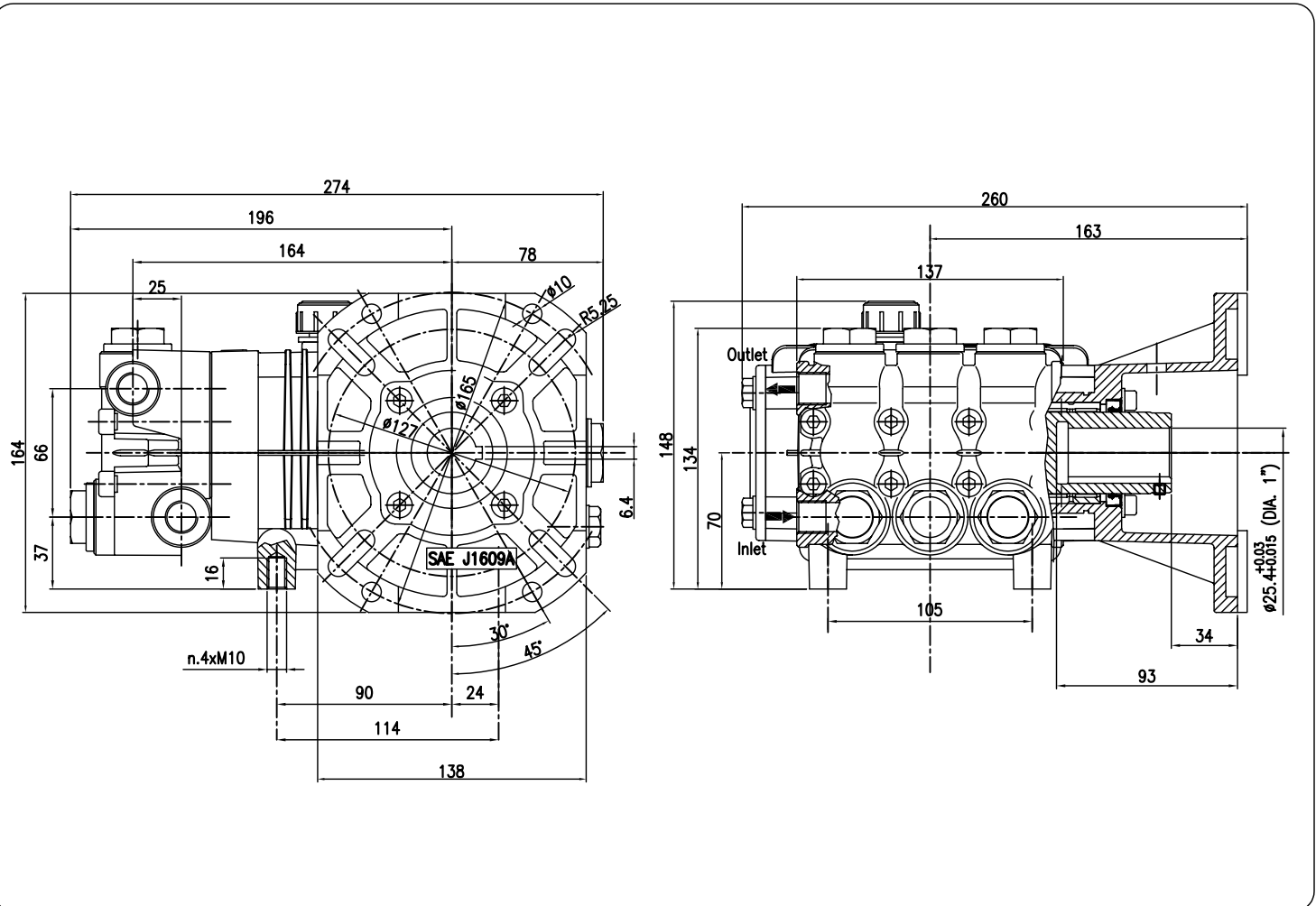
Caratteristiche Tecniche

Technical Characteristics

Pump Pompe Pumpen Pompa	Pressure Pression Druck Pressione		Volume Débit Leistung Portata		RPM tours/min u.p.m. giri/min	Required HP Puissance HP Leistung HP Potenza HP	Inlet port Entrée Eingang Aspirazione	Outlet Sortie Ausgang Mandata	Weight Kg Poids Kg Gewicht Kg Peso Kg
	bar	PSI	l/min	GPM					
PM3046GR	275	4000	11.5	3.0	3400	8.1	G 1/2	G 3/8	10
PM3546GR	275	4000	13.5	3.5	3400	9.5	G 1/2	G 3/8	10
PM4046GR	275	4000	15.3	4.0	3400	10.9	G 1/2	G 3/8	10
PM5036GR	275	4000	19.0	5.0	3400	13.4	G 1/2	G 3/8	10

Dimensioni d' ingombro

Overall dimensions



Lubrificazione: Olio SAE 20/40W
Capacità 0.7 Litri

Lubrication: SAE 20/40W Oil
Capacity 0.7 Litri

Pos. Item	Codice Part Number	Description	Descrizione	Q.tà/Pompa Q.ty/Pump	PM3046G	PM3546G	PM4046G	PM5036G
1	0202.32	Crankcase	<i>Carter</i>	1				
2	0602.01	Plunger guide	<i>Guida asta pistone</i>	3				
*3	0001.03	Plunger oil seal	<i>Anello radiale</i>	3				
*4	0601.07	"O" Ring Ø1.78x31,47	<i>"O" Ring Ø1.78x31,47</i>	3				
*5	0002.20	"V" seal, dia.15mm	<i>Anello tenuta "V" Ø15</i>	6				
*6	1201.20	Pressure ring 15mm	<i>Pressore Ø15</i>	3				
*7	0300.27	Support ring 15mm	<i>Diffusore Ø15</i>	6				
*8	0300.20	Intermed. ring 15mm	<i>Diffusore Intermed. Ø18</i>	3				
9	1601.20	Brass plug G1/2	<i>Tappo G1/2</i>	1				
10	0603.07	Copper washer 1/2	<i>Guarnizione rame G1/2</i>	1				
11	1602.16	Manifold housing	<i>Testata</i>	1				
*12	0601.19	"O" Ring Ø2.62x17.13	<i>"O" Ring Ø2.62x17.13</i>	6				
*13	3604.70	Valve assembly	<i>Valvola premontata</i>	6				
*14	0601.65	"O" Ring Ø2.62x20.29	<i>"O" Ring Ø2.62x20.29</i>	6				
15	1601.30	Valve plug	<i>Tappo valvola</i>	6	◆	◆	◆	◆
16	1801.03	Manifold stud bolt	<i>Vite M8x65</i>	8				
17	1400.01	Washer	<i>Rosetta Ø8.5</i>	8				
18	0603.06	Copper washer 3/8	<i>Guarnizione rame G3/8</i>	1				
19	1601.17	Brass plug 3/8	<i>Tappo G3/8</i>	2				
20	1503.18	Valve seat	<i>Sede valvola</i>	6				
21	1202.00	Valve plate	<i>Piattello valvola</i>	6				
22	0900.30	Valve spring	<i>Molla valvola</i>	6				
23	0604.05	Valve cage	<i>Gabbia valvola</i>	6				
24	1801.12	Hexagonal screw	<i>Vite M6x16</i>	9				
25	1400.02	Washer	<i>Rosetta Ø6,4</i>	4				
26	0500.56	Closed bearing flange	<i>Flangia chiusa</i>	1				
27	0601.09	"O" Ring Ø2,62x61,6	<i>"O" Ring Ø2,62x61,6</i>	1				
28	1500.03	Snap ring	<i>Anello Ø25</i>	1				
29	0213.10	Double row ball bearing	<i>Cuscinetto doppia corona</i>	1				
30	0004.91	Crankshaft	<i>Albero eccentrico</i>	1	◆			
	0004.92	Crankshaft	<i>Albero eccentrico</i>	1		◆		
	0004.93	Crankshaft	<i>Albero eccentrico</i>	1			◆	
	0004.94	Crankshaft	<i>Albero eccentrico</i>	1				◆
31	1803.02	Set screw	<i>Vite STEI M6x6</i>	1				
32	1600.06	Oil dip stick	<i>Tappo livello olio</i>	1				
33	0601.83	"O" Ring Ø3,53x55,56	<i>"O" Ring Ø3,53x55,56</i>	1				
34	0200.10	Needle roller bearing	<i>Cuscinetto a rullini</i>	1				
35	0500.55	Engine flange	<i>Flangia motore</i>	1				
36	1403.04	Spring washer	<i>Rosetta elastica Ø8,1</i>	4				
37	1801.28	Flange scerw	<i>Vite M8x30</i>	4				
38	1802.20	Engine screw 5/16"	<i>Vite 5/16"</i>	4				
39	1400.51	Washer	<i>Rosetta Ø8,4</i>	4				
40	1401.03	Spring washer	<i>Rosetta Schnorr 08</i>	4	◆	◆	◆	◆
41	1802.21	Engine screw 3/8"	<i>Vite 3/8"</i>	4				
42	1400.52	Washer	<i>Rosetta Ø10</i>	4				
43	1400.53	Spring washer	<i>Rosetta elastica Ø10</i>	4				
44	0001.09	Crankshaft seal	<i>Anello radiale</i>	1				
*45	0302.11	Plunger nut	<i>Dado pistone</i>	3				
*46	1400.06	Copper spacer	<i>Rosetta Ø 9,2/13,5x0,5</i>	3				
*47	1200.25	Plunger 15mm	<i>Pistone Ø15</i>	3				
*48	1400.27	Copper spacer	<i>Rosetta rame</i>	3				
*49	0601.30	"O" Ring Ø1.78x5.28	<i>"O" Ring Ø1.78x5.28</i>	3				
*50	0009.13	Teflon ring	<i>Anello antiestrusione</i>	3				

Pos. Item	Codice Part Number	Description	Descrizione	Q.tà/Pompa Q.ty/Pump	PM3046G	PM3546G	PM4046G	PM5036G
51	0003.02	Plunger rod	Asta pistone	3				
52	1500.01	Snap ring	Anello Ø10	6				
53	1502.01	Connecting rod pin	Spinotto	3				
54	0100.01	Connecting rod	Biella completa	3				
55	1401.02	Spring washer	Rosetta elastica Ø6	6				
56	1801.05	Connecting rod screw	Vite M6x25	6	◆	◆	◆	◆
57	0601.88	"O" Ring Ø2.62x126.67	"O" Ring Ø2.62x126.67	1				
58	0203.53	Crankcase cover	Coperchio	1				
59	0601.14	"O" Ring Ø1,78x14	"O" Ring Ø1,78x14	1				
60	0700.05	Sight glass, G3/4	Spia livello olio G3/4	1				

  Part available
in kit only

*Particolare disponibile
solo in kit*

  Part available
in kit also

*Particolare disponibile
anche in kit*

SPARE PARTS KIT

KIT RICAMBI

Posizioni Item	Part Number & Description	Codice e Descrizione	Q.tà/Pompa Q.ty/Pump	PM3046G	PM3546G	PM4046G	PM5036G
4- 5- 7	2608.24 Plunger Seals 15 mm	2608.24 Guarnizioni pistone Ø15	1				
3- 4- 5- 6- 7- 8	2608.25 Complete seal Packing 15 mm	2608.25 Pacco completo Guarnizioni pistone Ø15	3				
45- 46- 47- 48 49- 50	2608.23 Plunger 15 mm	2608.23 Pistone Ø15	3	◆	◆	◆	◆
12- 13- 14	2600.08 Complete Valve	2600.08 Valvola completa	6				
3	2600.27 Plunger oil Seals	2600.27 Anelli tenuta olio Asta	1				