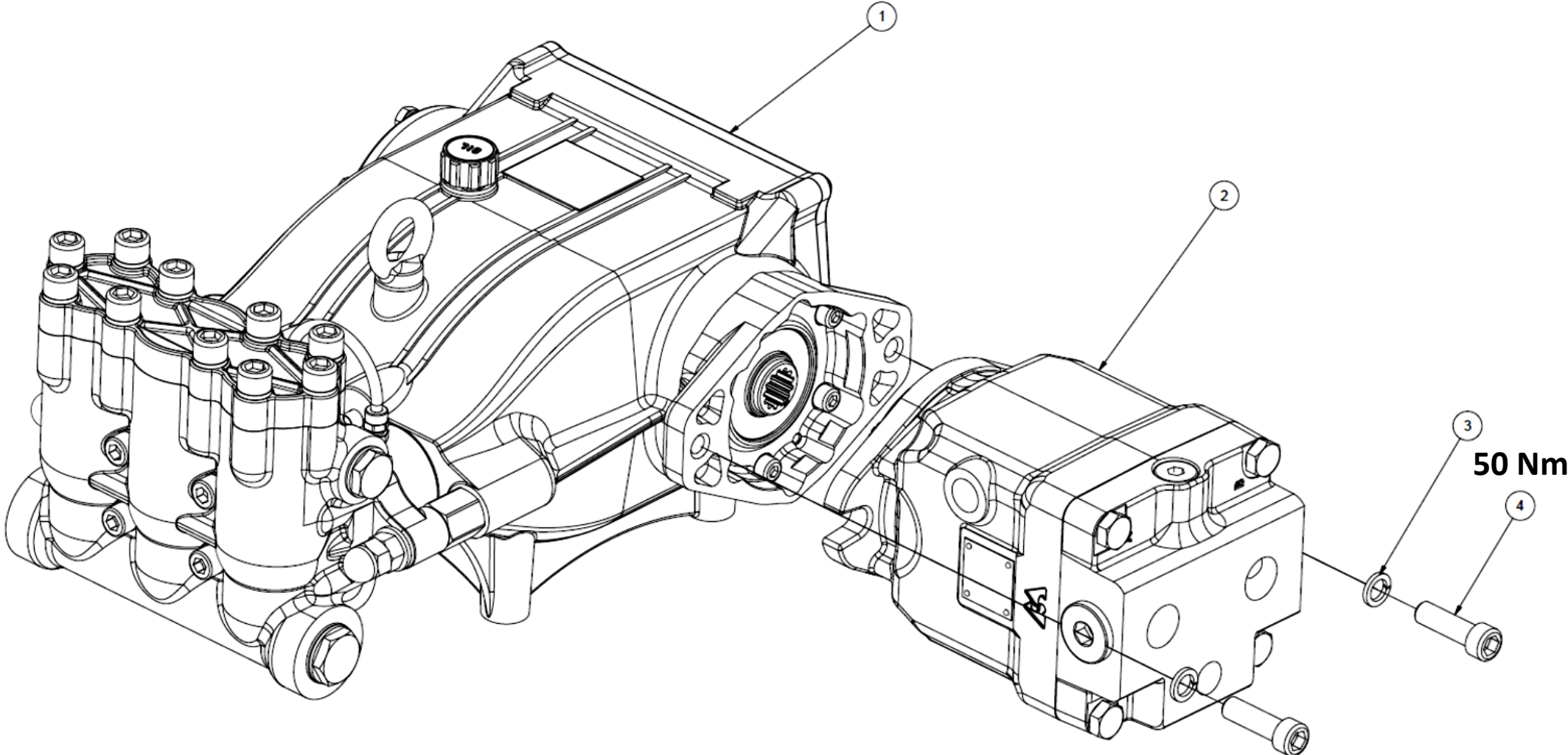
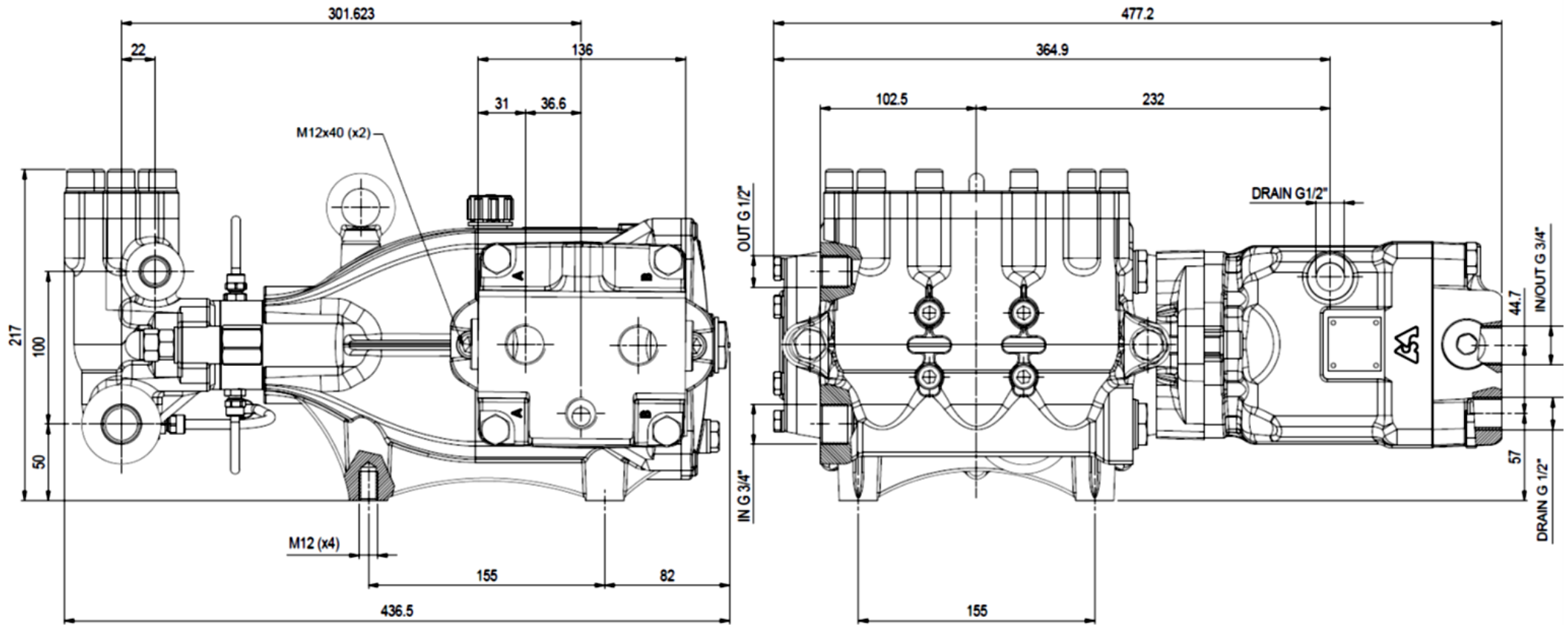


MPX HYDRAULIC MOTORPUMP WITH PISTON MOTOR

MOTOPOMPA IDRAULICA MPX CON MOTORE A PISTONI



OVERALL DIMENSIONS - DIMENSIONI DI INGOMBRO



PART LIST

LISTA PARTI

Pos. Item	Codice Part Number	Descrizione	Description	Q.tà	Q.ty
	1.904-908.0	POMPA MPX 45L 350BAR 1450RPM HY DX + MOT.MAP-46	PUMP MPX 45L 350BAR 1450RPM HY DX + MOT.MAP-46		
1	1.904-784.0	Pompa MPX 45L 350BAR 1450 RPM HY DX	Pump MPX 45L 350BAR 1450RPM HY RIGHT	1	
2	9.853-812.0	Motore idraulico 47.13CC SAEB-ALB.SC. 22.2 IN/OUT G.3/4 DRAIN G.1/2	Hydraulic Motor 47.13CC SAEB-ALB.SC. 22.2 IN/OUT G.3/4 DRAIN G.1/2	1	
3	9.851-159.0	Rosetta elastica M12 DIN7980	Washer M12 DIN7980	2	
4	9.853-065.0	Vite TCEI M12x40 UNI5931 12.9	Screw M12x40 UNI5931 12.9	2	
	1.904-912.0	POMPA MPX 45L 350BAR 1450RPM HY DX + MOT.MAP-62	PUMP MPX 45L 350BAR 1450RPM HY DX + MOT.MAP-62		
1	1.904-784.0	Pompa MPX 45L 350BAR 1450 RPM HY DX	Pump MPX 45L 350BAR 1450RPM HY RIGHT	1	
2	9.853-813.0	Motore idraulico 62.4CC SAEB-ALB.SC. 22.2 IN/OUT G.3/4 DRAIN G.1/2	Hydraulic Motor 62.4CC SAEB-ALB.SC. 22.2 IN/OUT G.3/4 DRAIN G.1/2	1	
3	9.851-159.0	Rosetta elastica M12 DIN7980	Washer M12 DIN7980	2	
4	9.853-065.0	Vite TCEI M12x40 UNI5931 12.9	Screw M12x40 UNI5931 12.9	2	
	1.904-909.0	POMPA MPX 58L 250BAR 1450RPM HY DX + MOT.MAP-46	PUMP MPX 58L 250BAR 1450RPM HY DX + MOT.MAP-46		
1	1.904-785.0	Pompa MPX 58L 250BAR 1450RPM HY DX	Pump MPX 58L 250BAR 1450RPM HY RIGHT	1	
2	9.853-812.0	Motore idraulico 47.13CC SAEB-ALB.SC. 22.2 IN/OUT G.3/4 DRAIN G.1/2	Hydraulic Motor 47.13CC SAEB-ALB.SC. 22.2 IN/OUT G.3/4 DRAIN G.1/2	1	
3	9.851-159.0	Rosetta elastica M12 DIN7980	Washer M12 DIN7980	2	
4	9.853-065.0	Vite TCEI M12x40 UNI5931 12.9	Screw M12x40 UNI5931 12.9	2	
	1.904-913.0	POMPA MPX 58L 250BAR 1450RPM HY DX + MOT.MAP-62	PUMP MPX 58L 250BAR 1450RPM HY DX + MOT.MAP-62		
1	1.904-785.0	Pompa MPX 58L 250BAR 1450RPM HY DX	Pump MPX 58L 250BAR 1450RPM HY RIGHT	1	
2	9.853-813.0	Motore idraulico 62.4CC SAEB-ALB.SC. 22.2 IN/OUT G.3/4 DRAIN G.1/2	Hydraulic Motor 62.4CC SAEB-ALB.SC. 22.2 IN/OUT G.3/4 DRAIN G.1/2	1	
3	9.851-159.0	Rosetta elastica M12 DIN7980	Washer M12 DIN7980	2	
4	9.853-065.0	Vite TCEI M12x40 UNI5931 12.9	Screw M12x40 UNI5931 12.9	2	

TECHNICAL SPECIFICATIONS

SPECIFICHE TECNICHE

MODEL Modello	PART.NO. Codice	PUMP - POMPA						HYDRAULIC MOTOR - MOTORE IDRAULICO						Weight Peso
		Flow Rate Portata		Max Pressure Pressione Massima		RPM Giri/ Minuto	Max Power Potenza massima		Displacement Cilindrata	Oil Flow Rate Portata Oilo		Max Oil Pressure Pressione Massima Oilo		
		l/min	US GPM	Bar	Psi		HP	kW		cm ³ rev	l/min	US GPM	Bar	
MPX HY 45L 350BAR	1.904-908.0	45.0	11.9	350	5075	1450	40.5	29.8	47.13	68.5	18.1	290.6	4215	52.3
MPX HY 45L 350BAR	1.904-912.0	45.0	11.9	350	5075		40.5	29.8	62.4	90.3	23.8	219.5	3183	
MPX HY 58L 250BAR	1.904-909.0	58.0	15.4	250	3625		36.5	26.9	47.13	68.5	18.1	269	3900.5	
MPX HY 58L 250BAR	1.904-913.0	58.0	15.4	250	3625		40.5	26.9	62.4	90.3	23.8	198	2873	