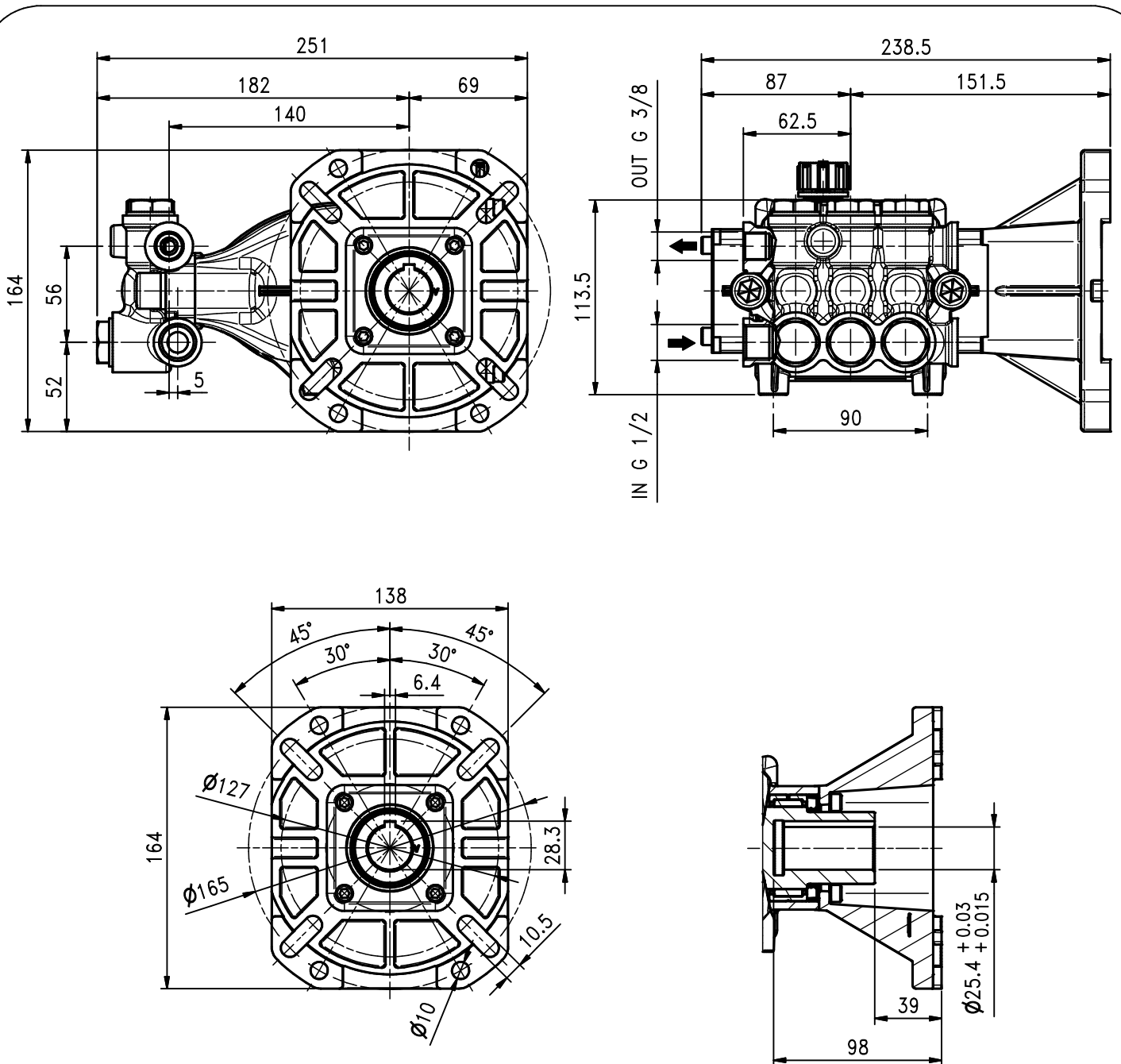


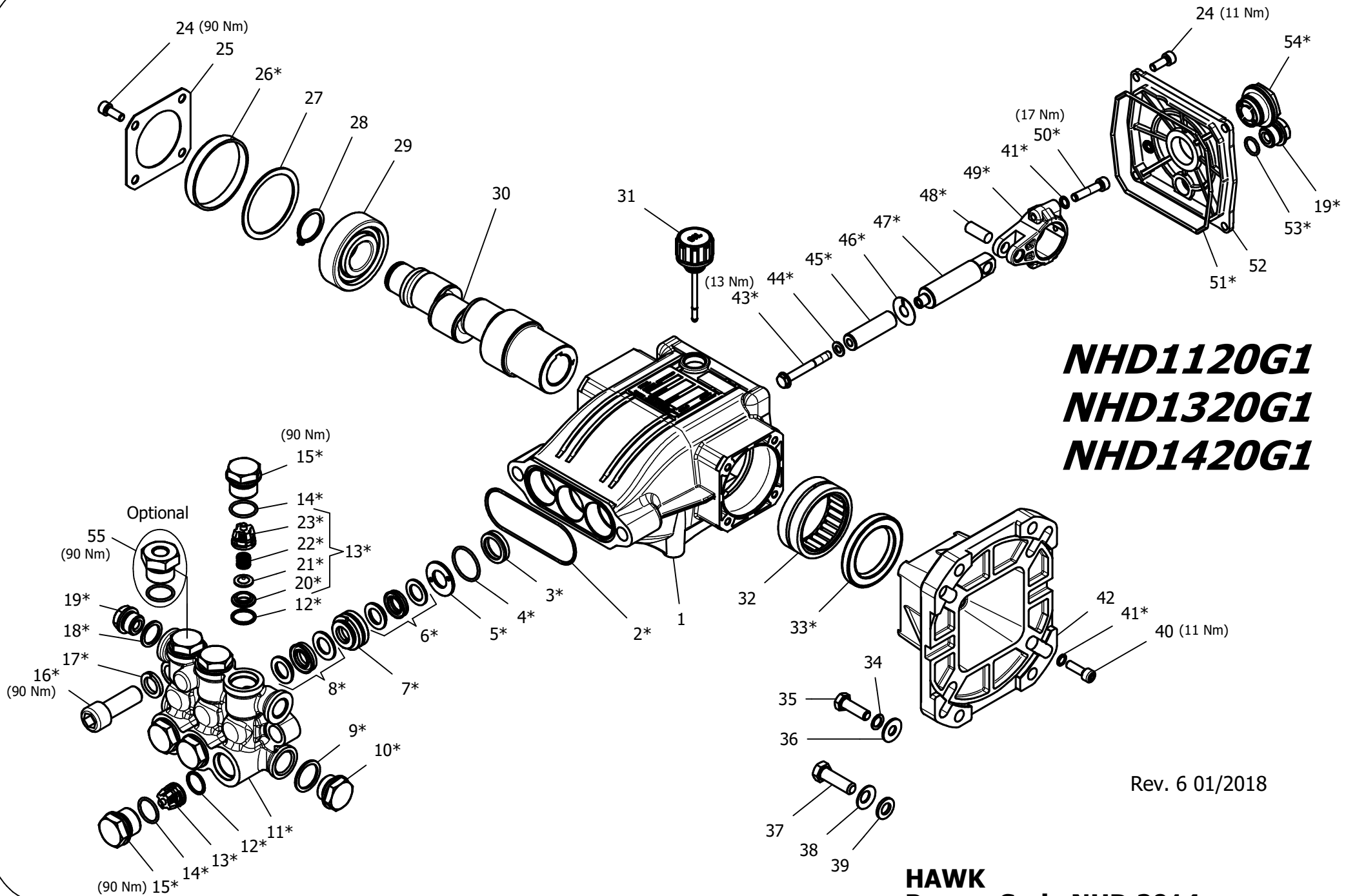
Pump Pompa	Pressure Pressione		Volume Portata		RPM giri/min	Power Potenza	
	bar	PSI	l/min	GPM		HP	kW
NHD1120G1	200	3000	11.4	3.0	3400	6	4.4
NHD1320G1	200	3000	13	3.5	3400	6.8	5
NHD1420G1	200	3000	14.4	3.8	3400	7.5	5.5

Dimensioni d'ingombro

Overall dimensions



Rev. 6 01/2018



NHD1120G1
NHD1320G1
NHD1420G1

Rev. 6 01/2018

HAWK
Pompe Serie NHD 2014
NHD Pumps 2014 Series

NHD G1 2014 SERIES

ORDINARY MAINTENANCE KIT / KIT MANUTENZIONE ORDINARIA

KIT	Item Pos.	Part Number Codice	Description	Descrizione	Q.TY by Pump Q.TA per Pompa	NHD120G1R/L	NHD1320G1R/L	NHD1420G1R/L
A	2- 4- 6- 8- 16	1.099-831.0	PLUNGER SEALS DIA. 14 mm	GUARNIZIONI PISTONE Ø14	1			
B	12- 13 (20 21- 22- 23) 14	1.905-617.0	COMPLETE VALVE	VALVOLA COMPLETA	1	•	•	•

EXTRAORDINARY MAINTENANCE KIT / KIT MANUTENZIONE STRAORDINARIA

KIT	Item Pos.	Part Number Codice	Description	Descrizione	Q.TY by Pump Q.TA per Pompa	NHD120G1R/L	NHD1320G1R/L	NHD1420G1R/L
C	2- 4- 5- 6- 7- 8 16	1.905-623.0	COMPLETE SEALS PACKING DIA. 14 mm	PACCO COMPLETO GUARNIZIONI PISTONE Ø14	1			
D	43- 44- 45- 46	1.099-833.0	PLUNGER DIA. 14 mm	PISTONE Ø14	3			
E	3	1.099-740.0	PLUNGER OIL SEALS	ANELLI TENUTA OLIO ASTA	1			
F	19- 26- 33- 51 53- 54	1.905-622.0	KIT CRANKCASE SEALS	KIT TENUTE CARTER	1	•	•	•
G	2- 4- 5- 6- 7 8- 9- 10- 11- 12 13 (20- 21- 22 23) 14- 15- 16 17- 18- 19	1.099-834.0	COMPLETE MANIFOLD	TESTATA COMPLETA	1			
H	41- 47- 48- 49 50	1.904-183.0	CONNECTING ROD PLUNGER ROD ASSY	PREMONTATO ASTA-BIELLA PISTONE	3			
I	14- 15	1.904-249.0	VALVE PLUG ASSY	PREMONTATO TAPPO VAM	6			

“Q.TY by Pump” => Necessary quantity to repair one pump
 “Q.TA’ per Pompa” => Quantità necessaria per riparare una pompa

OPTIONAL

Item Pos.	Part Number Codice	Description	Descrizione	Q.TY by Pump Q.TA per Pompa	NHD1120G1R/L	NHD1320G1R/L	NHD1420G1R/L
55	9.853-424.0	THREADED BRASS PLUG G1/4	PREMONTATO TAPPO FORATO	1	•	•	•

TOOL KIT

Part Number Codice	Description	Descrizione	Q.TY by Pump Q.TA per Pompa	NHD1120G1R/L	NHD1320G1R/L	NHD1420G1R/L
1.099-668.0	TOOL-KIT	TOOL-KIT	1	•	•	•
1.905-591.0	TOOL-KIT EXTRAORDINARY	TOOL-KIT STRAORDINARIA	1	•	•	•

IMPORTANT

IMPORTANTE

* Part available ONLY in kit
Disponibile SOLO in kit

(...) Parts pre-assembled
Parti pre-assemblate

PARTS LIST LISTA PARTI

Item Pos	Part Number Codice	Description	Descrizione	KIT	Q.TY Q.TÀ	NHD1120G1R/L	NHD1320G1R/L	NHD1420G1R/L
1	9.850-369.0	CRANKCASE	CARTER		1			
2*		"O" RING Ø1.78X72.75	"O" RING Ø1.78X72.75	A-C-G	1			
3*		PLUNGER OIL SEAL	ANELLO RADIALE	E	3			
4*		"O" RING Ø1.78X26.7	"O" RING Ø1.78X26.7	A-C-G	3			
5*		PRESSURE RING WASHER DIA. 14 MM	RONDELLA PRESSORE Ø14	C-G	3			
6*		"U" SEAL, DIA. 14 MM	ANELLO TENUTA "U" Ø14	A-C-G	3			
7*		PRESSURE RING DIA. 14 MM	PRESSORE "U" Ø14	C-G	3			
8*		"U" SEAL, DIA. 14 MM	ANELLO TENUTA "U" Ø14	A-C-G	3			
9*		COPPER WASHER G1/2	GUARNIZIONE RAME G1/2	G	1			
10*		BRASS PLUG G1/2	TAPPO OTTONE G1/2	G	1			
11*		MANIFOLD HOUSING	TESTATA	G	1			
12*		"O" RING Ø1.78X15.6	"O" RING Ø1.78X15.6	B-G	6			
13*		VALVE ASSEMBLY	VALVOLA PREMONTATA	B-G	6			
14*		"O" RING Ø1,78X18.77	"O" RING Ø1.78X18.77	B-G-I	6			
15*		VALVE PLUG	TAPPO VALVOLA	G-I	6	•	•	•
16*		MANIFOLD STUD BOLT M14X40	VITE TCEI M14X40	A-C-G	2			
17*		LOCK-WASHER	ROSETTA ELASTICA Ø14	G	2			
18*		COPPER WASHER G3/8	GUARNIZIONE RAME G 3/8	G	1			
19*		BRASS PLUG G 3/8	TAPPO OTTONE G 3/8	F-G	2			
20*		VALVE SEAT	SEDE VALVOLA	B-G	6			
21*		VALVE PLATE	PIATTELLO VALVOLA	B-G	6			
22*		VALVE SPRING	MOLLA VALVOLA	B-G	6			
23*		VALVE CAGE	GABBIA VALVOLA	B-G	6			
24	9.851-474.0	SCREW M6X16	VITE TCEI M6X16		12			
25	9.850-379.0	BEARING COVER	COPERCHIO CUSCINETTO		2			
26*		BEARING SEAL	CAPPELLOTTO CUSCINETTO	F	1			
27	9.850-554.0	CRANKSHAFT SEAL SPACER	DISTANZIALE PARAOLIO ALBERO		2			
28	9.851-198.0	SNAP RING DIA. 25 MM	ANELLO Ø25		1			
29	9.850-460.0	BALL BEARING	CUSCINETTO A SFERE		2			
30	9.850-242.0	HOLLOW SHAFT	ALBERO CAVO		1	•		
	9.850-241.0	" "	" "		1		•	
	9.850-221.0	" "	" "		1			•
31	9.851-286.0	OIL DIP STICK	TAPPO LIVELLO OLIO		1			
32	9.850-354.0	NEEDLE ROLLER BEARING	CUSCINETTO A RULLINI		1			
33*		CRANKSHAFT SEAL	ANELLO RADIALE	F	1	•	•	•
34	9.851-152.0	LOCK-WASHER	ROSETTA ELASTICA Ø8.4		4			
35	9.851-509.0	HEXAGONAL SCREW	VITE 5/16"X1		4			
36	9.851-131.0	WASHER	ROSETTA PIANA Ø8.4		4			

Item Pos	Part Number Codice	Description	Descrizione	KIT	Q.TY Q.TÀ	NHD1120G1R/L	NHD1320G1R/L	NHD1420G1R/L
37	9.851-510.0	SCREW	VITE 3/8"		4			
38	9.850-839.0	LOCK-WASHER	ROSETTA ELASTICA Ø10		4			
39	9.851-132.0	WASHER	ROSETTA PIANA Ø10		4			
40	9.851-491.0	SCREW M6X20	VITE TCEI M6X20		4			
41*		SPRING WASHER DIA. 6 MM	ROSETTA SCHNORR Ø6	F	10			
42	9.850-633.0	ENGINE FLANGE	FLANGIA MOTORE		1			
43*		PLUNGER BOLT	VITE PISTONE	D	3			
44*		COPPER SPACER	ROSETTA RAME	D	3			
45*		PLUNGER DIA. 14 MM	PISTONE Ø14	D	3			
46*		COPPER SPACER	ROSETTA RAME	D	3			
47*		PLUNGER ROD	ASTA PISTONE	H	3			
48*		CONNECTING ROD PIN	SPINOTTO	H	3			
49*		CONNECTING ROD	BIELLA	H	3			
50*		CONNECTING ROD SCREW	VITE M6X30	H	6			
51*		"O" RING Ø2.62X111.62	"O" RING Ø2.62X111.62	F	1			
52	9.850-392.0	CRANKCASE COVER	COPERCHIO POSTERIORE		1			
53*		"O" RING Ø1.78X14	"O" RING Ø1.78X14	F	1			
54*		SIGHT GLASS G3/4	SPIA LIVELLI OLIO G3/4	F	1			