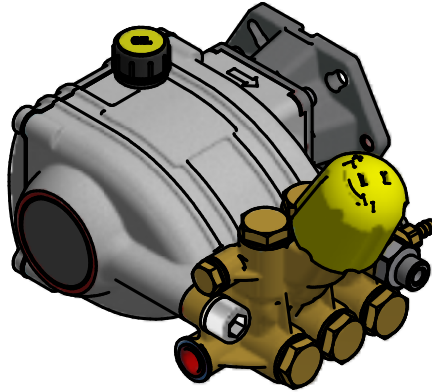


Pump Pompa	Pressure Pressione		Volume Portata		RPM giri/min	Power Potenza	
	bar	PSI	l/min	GPM		HP	kW
					TMP1217G		
TMP1421G1	210	3045	14.4	3.8	3400	7.3	5.4

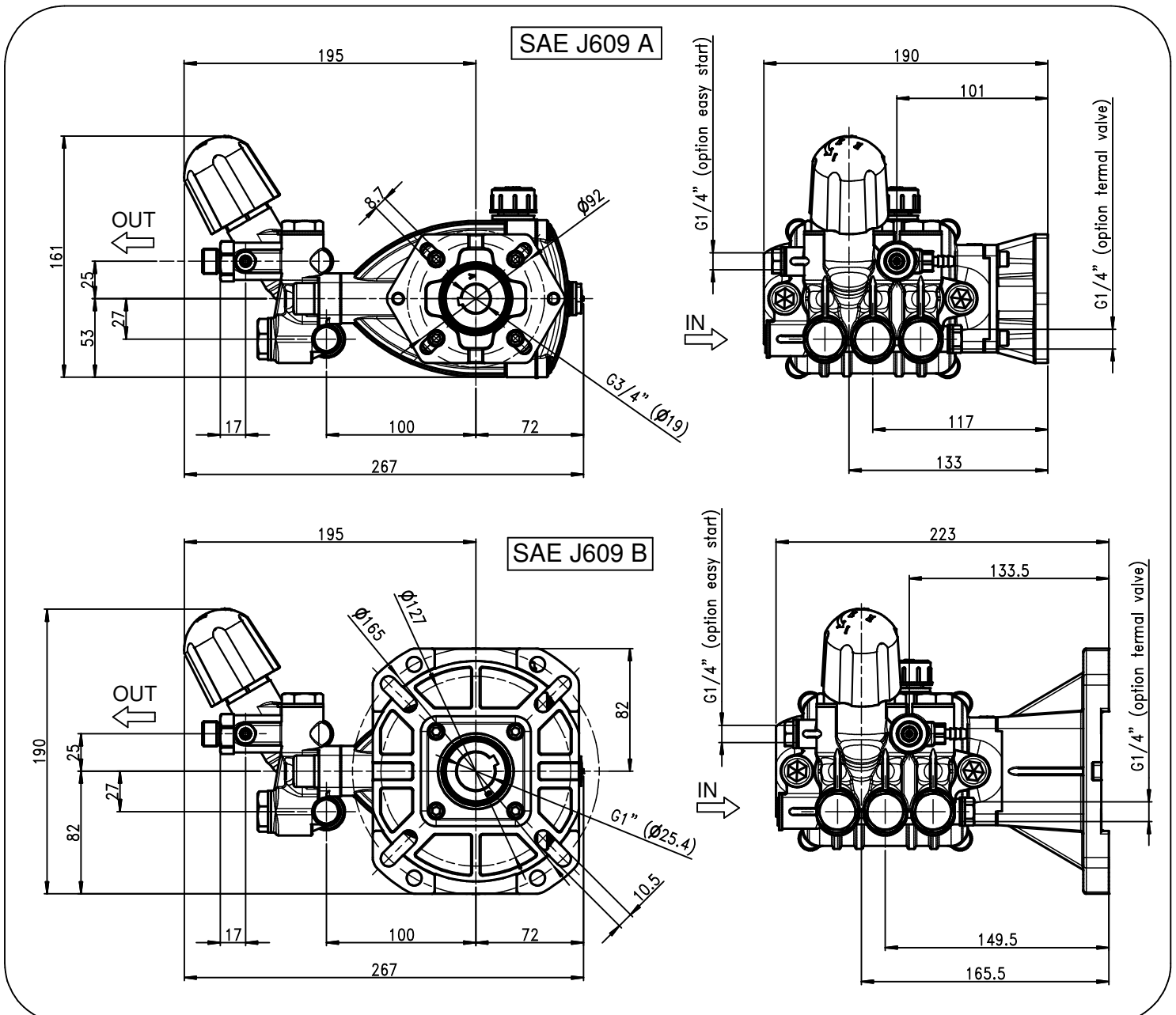


PUMP INLET: G 3/8" F  
optional 3/4 FGH

PUMP OUTLET: G 3/8" M  
optional FEMALE QUICK  
COUPLING

Dimensioni d'ingombro

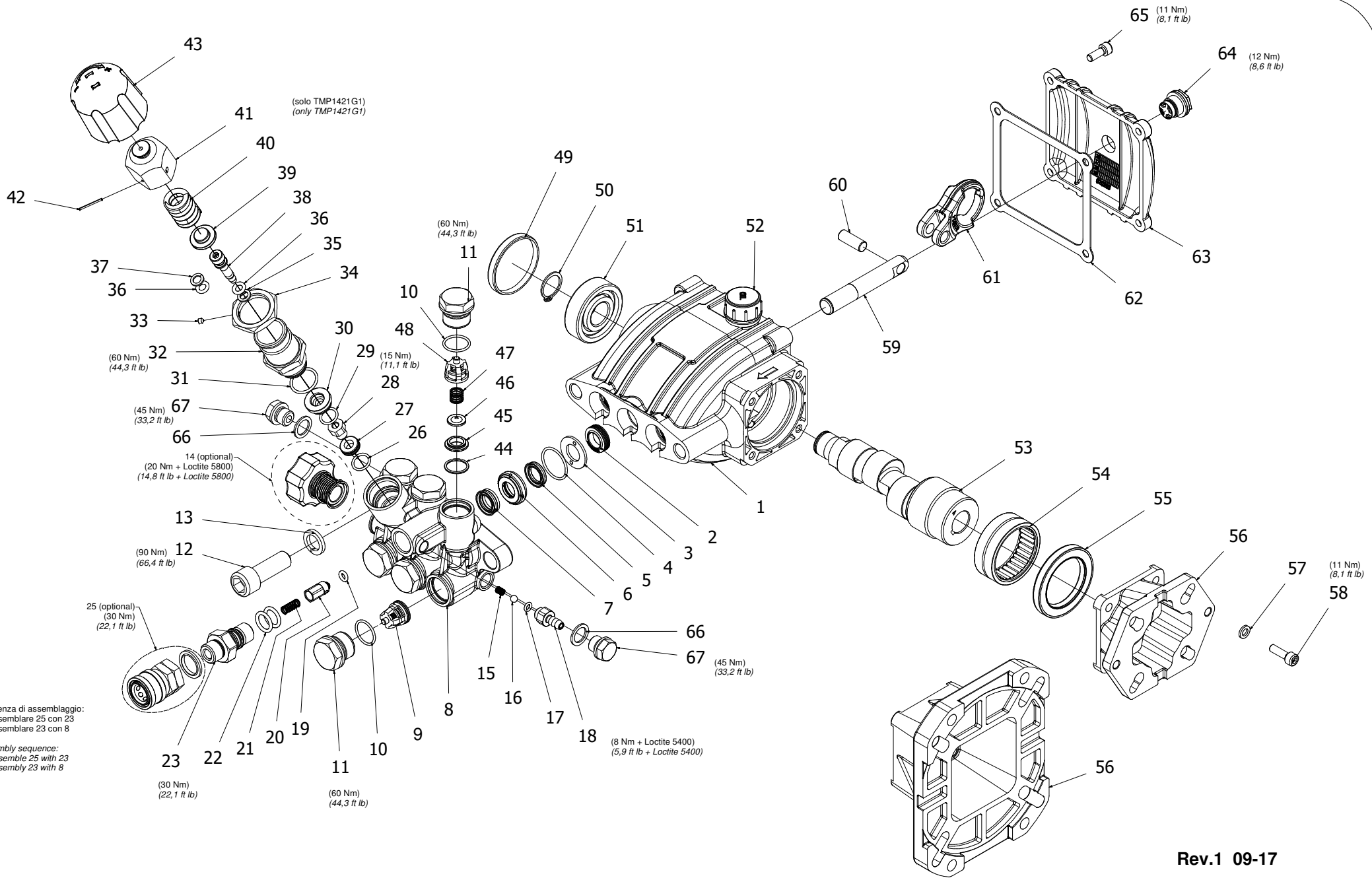
Overall dimensions



Lubrificazione: Olio SAE 10W-40  
Capacità: 0.35Litri  
Peso pompa: 5.5 Kg

rev. 1 09-2017

Lubrication: SAE 10W-40 Oil  
Capacity: 0.35Litres  
Weight: 5.5 Kg



sequenza di assemblaggio:  
 1) assemblare 25 con 23  
 2) assemblare 23 con 8

assembly sequence:  
 1) assemble 25 with 23  
 2) assembly 23 with 8

Rev.1 09-17

**HAWK**  
**serie TMP 2017**  
**2017 TMP series**





