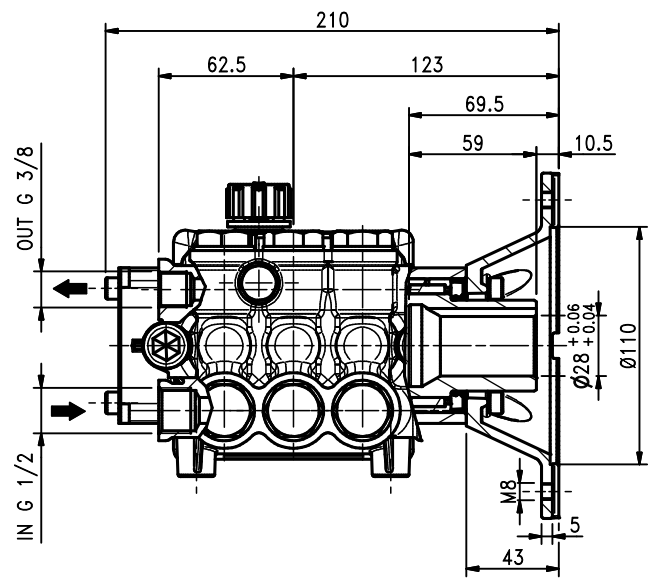
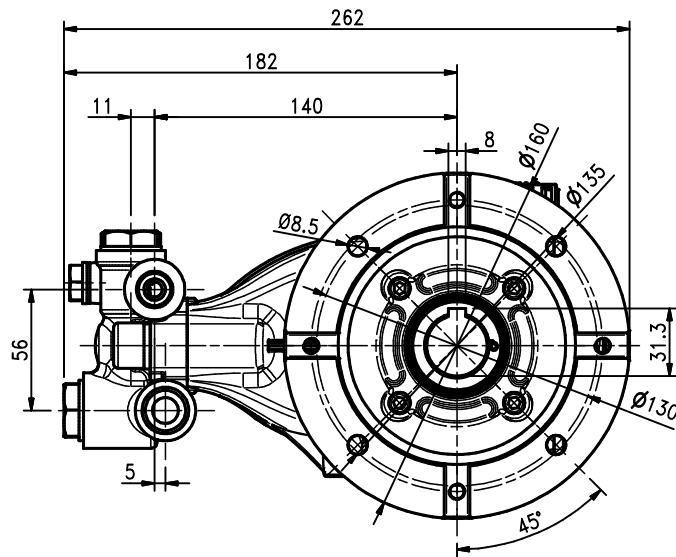


Pump Pompa	Pressione Pressione		Volume Portata				RPM giri/min		Power Potenza			
			l/min		GPM				HP		kW	
	bar	PSI	50 Hz	60 Hz	50 Hz	60 Hz	50 Hz	60 Hz	50 Hz	60 Hz	50 Hz	60 Hz
NHD8512C1	120	1740	8.5	10.1	2.2	2.7	1450	1740	2.6	3.1	1.9	2.3
NHD8512C	120	1740	8.5	10.1	2.2	2.7	1450	1740	2.6	3.1	1.9	2.3
NHD1012C	120	1740	10	12.0	2.6	3.2	1450	1740	3.0	3.6	2.2	2.6
NHD1112C	120	1740	11	13.2	2.9	3.5	1450	1740	3.4	4.1	2.5	3.0
NHD1212C	120	1740	12	14.0	3.1	3.7	1450	1740	3.6	4.4	2.7	3.2

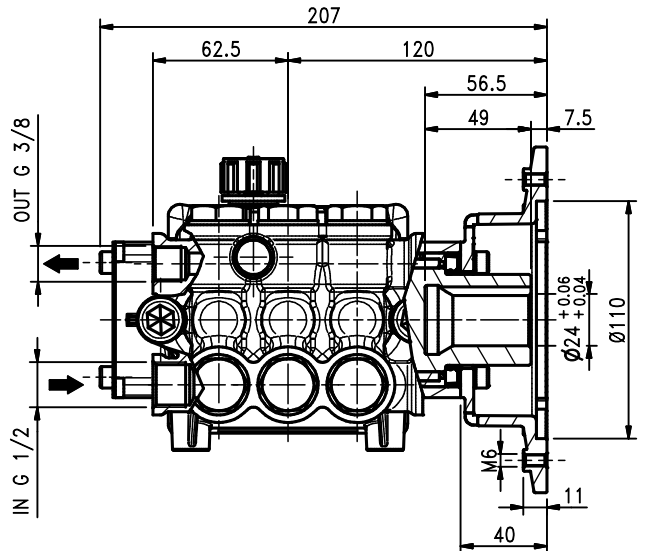
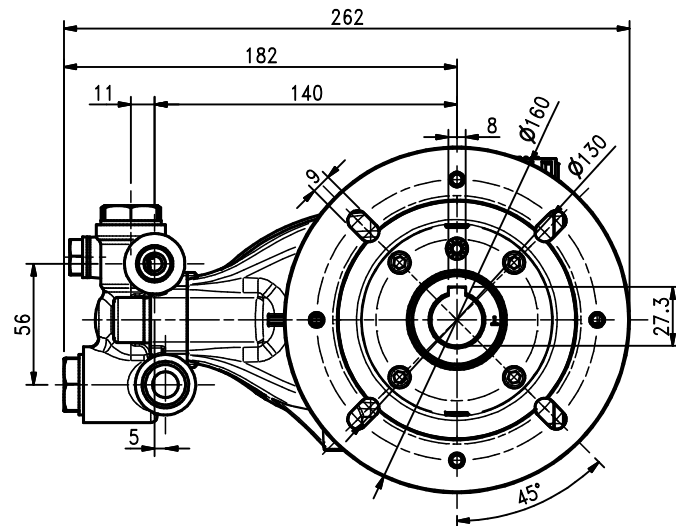
Dimensioni d'ingombro

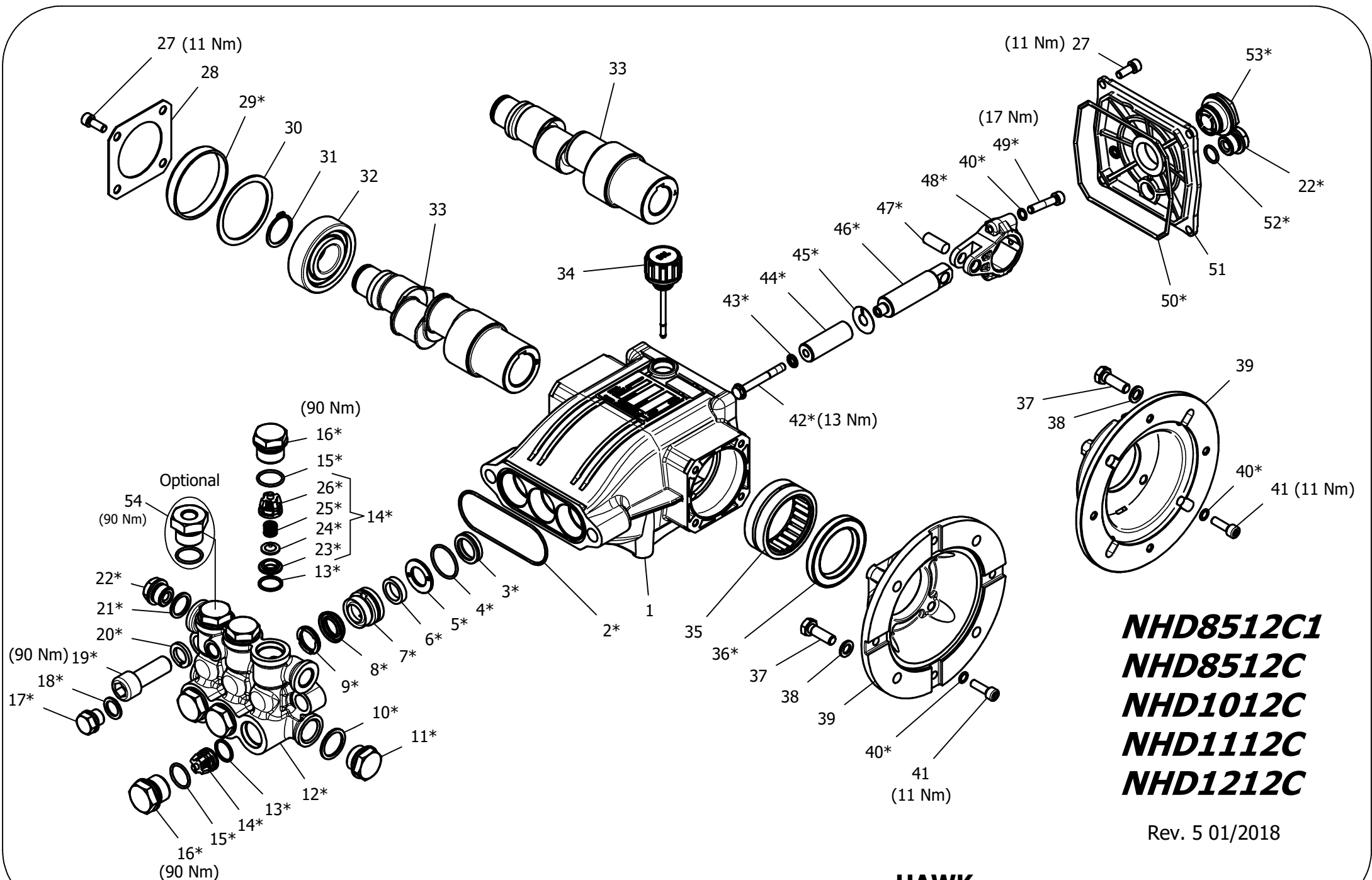
Overall dimensions

NHD8512C - NHD1012C - NHD1112C - NHD1212C



NHD8512C1





**NHD8512C1**  
**NHD8512C**  
**NHD1012C**  
**NHD1112C**  
**NHD1212C**

Rev. 5 01/2018

**HAWK**  
**Pompe Serie NHD 2014**  
**NHD Pumps 2014 Series**

## NHD C 2014 SERIES

### ORDINARY MAINTENANCE KIT / KIT MANUTENZIONE ORDINARIA

KIT	Item Pos.	Part Number Codice	Description	Descrizione	Q.TY by Pump Q.TA per Pompa	NHD8512C1R/L	NHD8512CR/L	NHD1012CR/L	NHD1112CR/L	NHD1212CR/L
A	2- 4- 5- 6- 7- 8 9- 19	1.905-668.0	PLUNGER SEALS DIA. 16 mm	GUARNIZIONI PISTONE Ø16	1					
B	13- 14 (23- 24 25- 26) 15	1.905-617.0	COMPLETE VALVE	VALVOLA COMPLETA	1	•	•	•	•	•

### EXTRAORDINARY MAINTENANCE KIT / KIT MANUTENZIONE STRAORDINARIA

KIT	Item Pos.	Part Number Codice	Description	Descrizione	Q.TY by Pump Q.TA per Pompa	NHD8512C1R/L	NHD8512CR/L	NHD1012CR/L	NHD1112CR/L	NHD1212CR/L
C	42- 43- 44- 45	1.099-738.0	PLUNGER DIA. 16 mm	PISTONE Ø16	3					
D	3	1.099-740.0	PLUNGER OIL SEALS	ANELLI TENUTA OLIO ASTA	1					
E	22- 29- 36 50- 52- 53	1.905-624.0	KIT CRANKCASE SEALS	KIT TENUTE CARTER	1					
F	2- 4- 5- 6 7- 8- 9- 10- 11 12- 13- 14 (23 24- 25- 26) 15- 16- 17- 18 19- 20- 21- 22	1.099-741.0	COMPLETE MANIFOLD	TESTATA COMPLETA	1	•	•	•	•	•
G	40- 46- 47 48- 49	1.904-183.0	CONNECTING ROD PLUNGER ROD ASSY	PREMONTATO ASTA-BIELLA PISTONE	3					
H	15- 16	1.904-249.0	VALVE PLUG ASSY	PREMONTATO TAPPO VAM	6					

“Q.TY by Pump” => Necessary quantity to repair one pump  
 “Q.TA’ per Pompa” => Quantità necessaria per riparare una pompa

### OPTIONAL

Item Pos.	Part Number Codice	Description	Descrizione	Q.TY by Pump Q.TA per Pompa	NHD8512C1R/L	NHD8512CR/L	NHD1012CR/L	NHD1112CR/L	NHD1212CR/L
54	9.853-424.0	THREADED BRASS PLUG G1/4	PREMONTATO TAPPO FORATO	1	•	•	•	•	•

### TOOL KIT

Part Number Codice	Description	Descrizione	Q.TY by Pump Q.TA per Pompa	NHD8512C1R/L	NHD8512CR/L	NHD1012CR/L	NHD1112CR/L	NHD1212CR/L
1.099-668.0	TOOL-KIT	TOOL-KIT	1	•	•	•	•	•
1.905-591.0	TOOL-KIT EXTRAORDINARY	TOOL-KIT MANUTENZIONE STRAORINARIA	1	•	•	•	•	•

### IMPORTANT

### IMPORTANTE

\* Part available ONLY in kit  
Disponibile SOLO in kit

(...) Parts pre-assembled  
Parti pre-assemblate

### PARTS LIST LISTA PARTI

Item Pos	Part Number Codice	Description	Descrizione	KIT	Q.TY Q.TÀ	NHD8512C1R/L	NHD8512CR/L	NHD1012CR/L	NHD1112CR/L	NHD1212CR/L
1	9.850-369.0	CRANKCASE	CARTER		1					
2*	9.850-796.0	"O" RING Ø1.78X74.5	"O" RING Ø1.78X74.5	A-F	1					
3*	9.850-005.0	PLUNGER OIL SEAL	ANELLO RADIALE	D	3					
4*	9.850-780.0	"O" RING Ø1.78X26.7	"O" RING Ø1.78X26.7	A-F	3					
5*	9.851-139.0	PRESSURE RING WASHER DIA. 16 MM	RONDELLA PRESSORE Ø16	A-F	3					
6*	9.850-071.0	"U" SEAL, DIA. 16 MM	ANELLO TENUTA "U" Ø16	A-F	3					
7*	9.851-054.0	PRESSURE RING DIA. 16 MM	PRESSORE "V" Ø16	A-F	3					
8*	9.850-072.0	"V" SEAL, DIA. 16 MM	ANELLO TENUTA "V" Ø16	A-F	3					
9*	9.850-540.0	SUPPORT RING DIA. 16 MM	DIFFUSORE Ø16	A-F	3					
10*	9.850-748.0	COPPER WASHER G1/2	GUARNIZIONE RAME G1/2	F	1					
11*	9.851-304.0	BRASS PLUG G1/2	TAPPO OTTONE G1/2	F	1					
12*	9.851-402.0	MANIFOLD HOUSING	TESTATA	F	1					
13*	9.850-702.0	"O" RING Ø1.78X15.6	"O" RING Ø1.78X15.6	B-F	6					
14*	1.904-192.0	VALVE ASSEMBLY	VALVOLA PREMONTATA	B-F	6					
15*	9.850-676.0	"O" RING Ø1,78X18.77	"O" RING Ø1.78X18.77	B-F-H	6					
16*	9.851-325.0	VALVE PLUG	TAPPO VALVOLA	F-H	6					
17*	9.851-305.0	BRASS PLUG G1/4	TAPPO OTTONE G1/4	F	1					
18*	9.850-749.0	COPPER WASHER G1/4	GUARNIZIONE RAME G1/4	F	1					
19*	9.851-492.0	MANIFOLD STUD BOLT M14X40	VITE TCEI M14X40	A-F	2					
20*	9.851-155.0	LOCK-WASHER	ROSETTA ELASTICA Ø14	F	2					
21*	9.850-747.0	COPPER WASHER G3/8	GUARNIZIONE RAME G 3/8	F	1					
22*	9.851-303.0	BRASS PLUG G 3/8	TAPPO OTTONE G 3/8	F-E	2					
23*	9.851-228.0	VALVE SEAT	SEDE VALVOLA	B-F	6					
24*	9.851-062.0	VALVE PLATE	PIATTELLO VALVOLA	B-F	6					
25*	9.850-879.0	VALVE SPRING	MOLLA VALVOLA	B-F	6					
26*	9.850-757.0	VALVE CAGE	GABBIA VALVOLA	B-F	6					
27	9.851-474.0	SCREW M6X16	VITE TCEI M6X16		8					
28	9.850-379.0	BEARING COVER	COPERCHIO CUSCINETTO		1					
29*	9.850-441.0	BEARING SEAL	CAPPELOTTO CUSCINETTO	E	1					
30	9.850-554.0	CRANKSHAFT SEAL SPACER	DISTANZIALE PARAOLIO ALBERO		1					
31	9.851-198.0	SNAP RING DIA. 25 MM	ANELLO Ø25		1					
32	9.850-460.0	BALL BEARING	CUSCINETTO A SFERE		1					
33	9.850-223.0	HOLLOW SHAFT	ALBERO CAVO Ø28		1					
	9.850-234.0	" "	" " "		1					
	9.850-235.0	" "	" " "		1					
	9.850-236.0	" "	" " "		1					
	9.851-989.0	" "	" " "		1					

