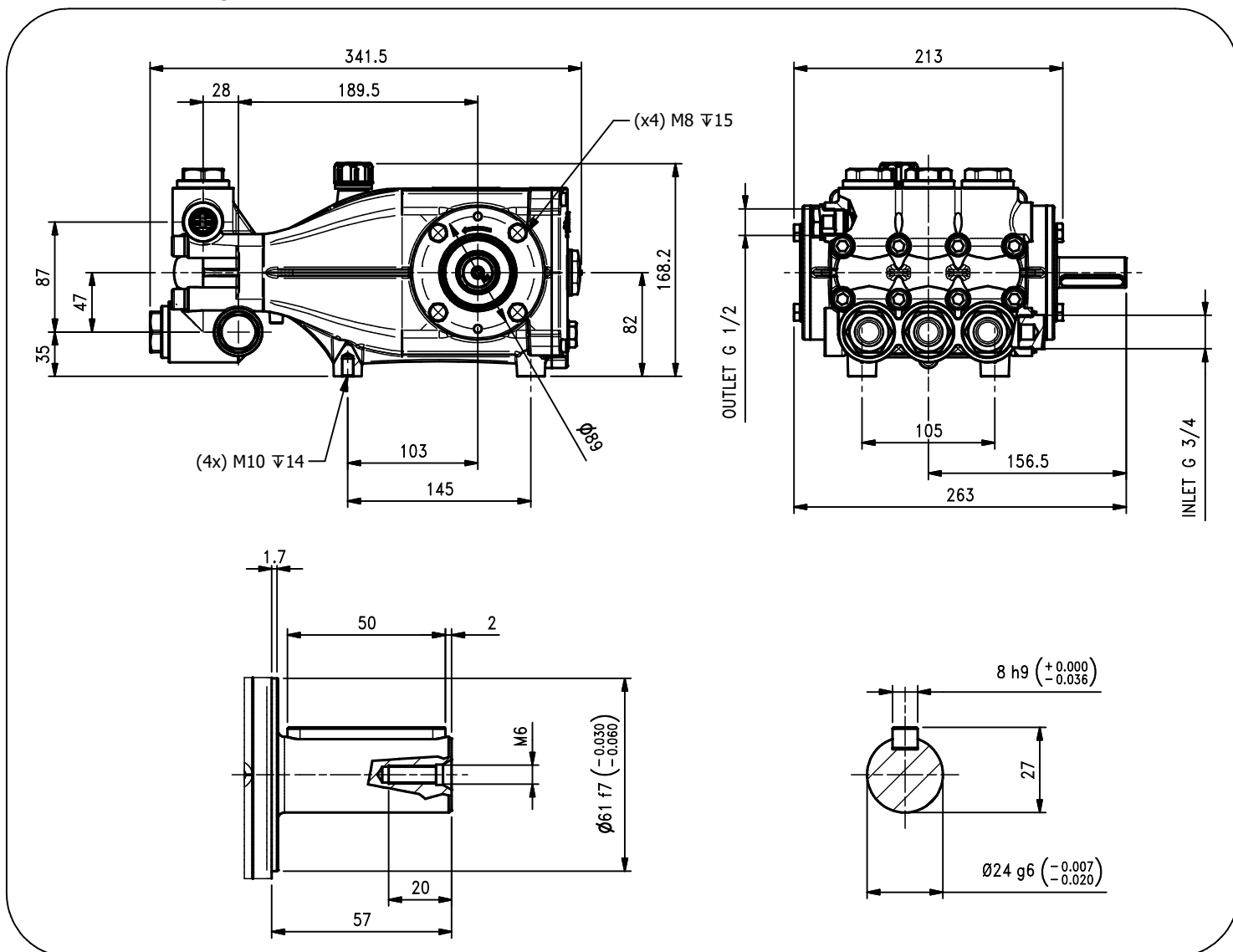
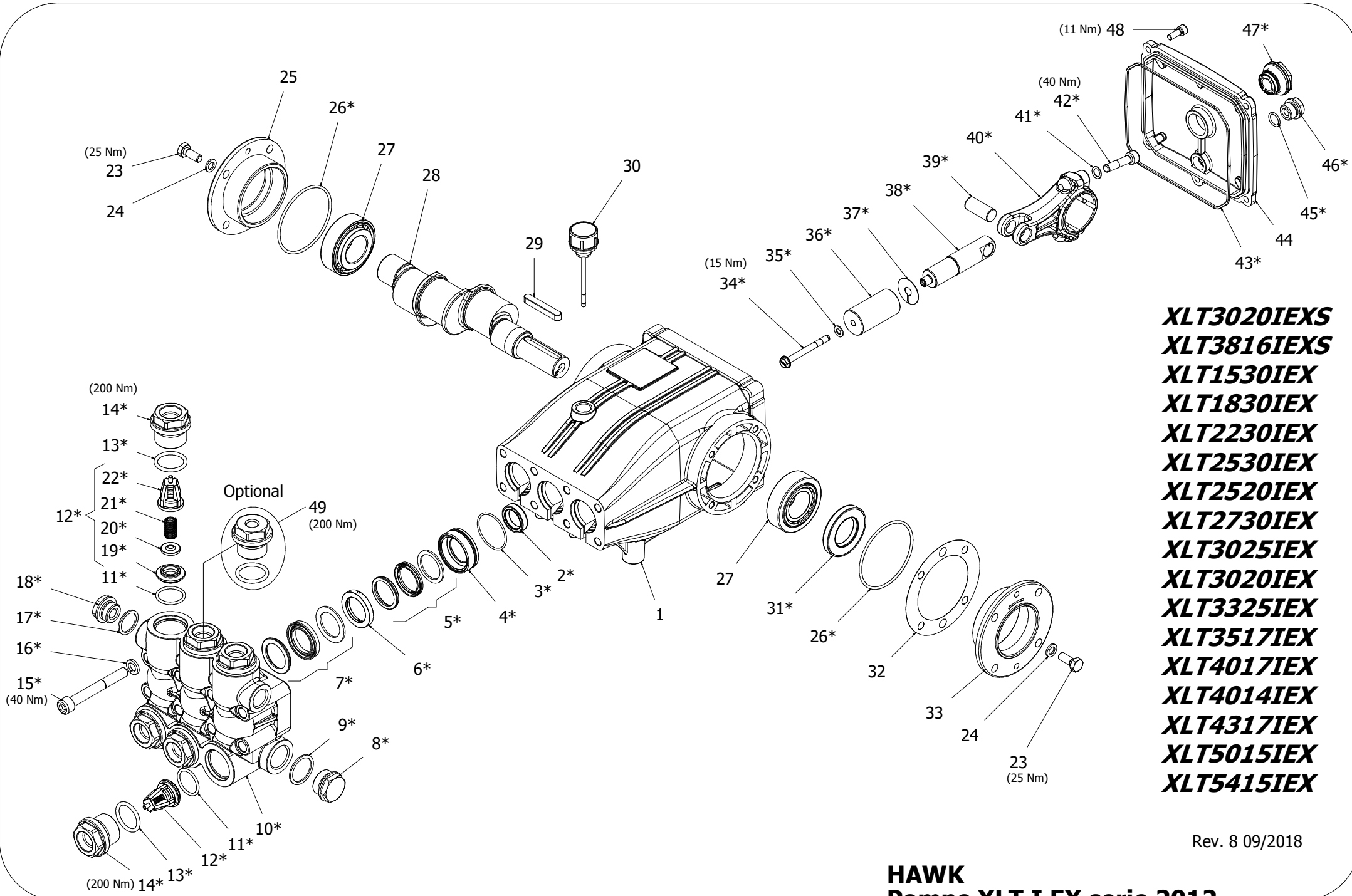


Pump Pompa	Pressure Pressione		Volume Portata				RPM giri/min		Power Potenza			
			l/min		GPM				HP		kW	
	bar	PSI	50 Hz	60 Hz	50 Hz	60 Hz	50 Hz	60 Hz	50 Hz	60 Hz	50 Hz	60 Hz
XLT3020IEXS	200	2900	30	36	7.9	9.5	1000	1200	15.6	18.7	11.5	13.8
XLT3816IEXS	160	2320	38	46	10	12	1000	1200	15.9	19.0	11.7	14.0
XLT1530IEEX	300	4350	15	18	3.96	4.75	1450	1740	11.5	13.8	8.5	10.2
XLT1830IEEX	300	4350	18	22	4.8	5.8	1450	1740	13.7	16.4	10.1	12.1
XLT2230IEEX	300	4350	22	26	5.8	7	1450	1740	16.6	19.9	12.2	14.6
XLT2520IEEX	200	2900	25	30	6.6	7.9	1450	1740	12.8	15.4	9.4	11.3
XLT2530IEEX	300	4350	25	30	6.6	7.9	1450	1740	19.2	23.0	14.1	16.2
XLT2730IEEX	300	4350	27	32	7.1	8.5	1450	1740	20.5	24.6	15.1	18.1
XLT3020IEEX	200	2900	30	36	7.9	9.5	1450	1740	15.5	18.6	11.4	13.7
XLT3025IEEX	250	3625	30	36	7.9	9.5	1450	1740	19.3	23.2	14.2	17.0
XLT3325IEEX	250	3625	33	40	8.7	10.4	1450	1740	21.4	25.7	15.7	18.8
XLT3517IEEX	170	2465	35	42	9.2	11	1450	1740	15.2	18.2	11.2	13.4
XLT4014IEEX	140	2030	40	48	10.6	12.7	1450	1740	14.0	16.8	10.3	12.4
XLT4017IEEX	170	2465	40	48	10.6	12.7	1450	1740	17.0	20.4	12.5	15.0
XLT4317IEEX	170	2465	43	52	11.4	13.7	1450	1740	19.1	22.9	14.1	16.9
XLT5015IEEX	150	2175	50	60	13.2	15.8	1450	1740	18.8	22.6	13.8	16.6
XLT5415IEEX	150	2175	54	65	14.3	17.2	1450	1740	21.2	25.4	15.6	18.7

Dimensioni d'ingombro

Overall dimensions





- XLT3020IEXS***
- XLT3816IEXS***
- XLT1530IEX***
- XLT1830IEX***
- XLT2230IEX***
- XLT2530IEX***
- XLT2520IEX***
- XLT2730IEX***
- XLT3025IEX***
- XLT3325IEX***
- XLT3517IEX***
- XLT4017IEX***
- XLT4014IEX***
- XLT4317IEX***
- XLT5015IEX***
- XLT5415IEX***

Rev. 8 09/2018

HAWK
Pompe XLT I EX serie 2012
XLT I EX pumps 2012 series

XLT I EX 2012 SERIES

ORDINARY MAINTENANCE KIT / KIT MANUTENZIONE ORDINARIA

KIT	Item Pos.	Part Number Codice	Description	Descrizione	Q.TY by Pump Q.TA per Pompa	XLT73020IEXS	XLT3816IEXS	XLT1530IEX	XLT1830IEX	XLT2230IEX	XLT2530IEX	XLT2730IEX	XLT3025IEX	XLT3325IEX	XLT3517IEX	XLT4017IEX	XLT4317IEX	XLT5015IEX	XLT5415IEX		
A	3- 5- 7	1.099-759.0	PLUNGER SEALS DIA. 20 mm	GUARNIZIONI PISTONE Ø20	1			•	•	•	•	•									
		1.099-769.0	PLUNGER SEALS DIA. 22 mm	GUARNIZIONI PISTONE Ø22										•	•						
		1.099-770.0	PLUNGER SEALS DIA. 25 mm	GUARNIZIONI PISTONE Ø25		•											•	•	•		
		1.099-771.0	PLUNGER SEALS DIA. 28 mm	GUARNIZIONI PISTONE Ø28		•														•	•
B	11- 12 (19 20- 21- 22) 13	1.905-686.0	COMPLETE VALVE	VALVOLA COMPLETA	1	•	•								•	•	•	•	•		
	11- 12 (19 20- 21- 22) 13	1.905-687.0	COMPLETE VALVE	VALVOLA COMPLETA		•	•	•	•	•	•	•	•	•	•						

EXTRAORDINARY MAINTENANCE KIT / KIT MANUTENZIONE STRAORDINARIA

KIT	Item Pos.	Part Number Codice	Description	Descrizione	Q.TY by Pump Q.TA per Pompa	XLT73020IEXS	XLT3816IEXS	XLT1530IEX	XLT1830IEX	XLT2230IEX	XLT2530IEX	XLT2730IEX	XLT3025IEX	XLT3325IEX	XLT3517IEX	XLT4017IEX	XLT4317IEX	XLT5015IEX	XLT5415IEX		
C	3- 4- 5- 6- 7	1.905-670.0	COMPLETE SEALS PACKING DIA. 20 mm	PACCO COMPLETO GUARNIZIONI PISTONE Ø20	1			•	•	•	•	•									
		1.905-852.0	COMPLETE SEALS PACKING DIA. 22 mm	PACCO COMPLETO GUARNIZIONI PISTONE Ø22										•	•						
		1.905-853.0	COMPLETE SEALS PACKING DIA. 25 mm	PACCO COMPLETO GUARNIZIONI PISTONE Ø25		•											•	•	•		
		1.905-854.0	COMPLETE SEALS PACKING DIA. 28 mm	PACCO COMPLETO GUARNIZIONI PISTONE Ø28		•														•	•
D	34- 35- 36 37	1.099-763.0	PLUNGER DIA. 20 mm	PISTONE Ø20	3			•	•	•	•	•									
		1.099-776.0	PLUNGER DIA. 22 mm	PISTONE Ø22										•	•						
		1.099-777.0	PLUNGER DIA. 25 mm	PISTONE Ø25		•											•	•	•		
		1.099-778.0	PLUNGER DIA. 28 mm	PISTONE Ø28		•														•	•
E	2	1.099-766.0	PLUNGER OIL SEALS	ANELLI TENUTA OLIO ASTA	1	•	•	•	•	•	•	•	•	•	•	•	•	•	•		

“Q.TY by Pump” => Necessary quantity to repair one pump
 “Q.TA’ per Pompa” => Quantità necessaria per riparare una pompa

EXTRAORDINARY MAINTENANCE KIT / KIT MANUTENZIONE STRAORDINARIA

KIT	Item Pos.	Part Number Codice	Description	Descrizione	Q.TY by Pump Q.TA per Pompa	XL T73020IEXS	XL T3816IEXS	XL T1530IEX	XL T1830IEX	XL T2230IEX	XL T2530IEX	XL T2730IEX	XL T3025IEX	XL T3325IEX	XL T3517IEX	XL T4017IEX	XL T4317IEX	XL T5015IEX	XL T5415IEX		
F	26- 31- 43 45- 46- 47	1.905-613.0	KIT CRANKCASE SEALS	KIT TENUTE CARTER	1	•	•	•	•	•	•	•	•	•	•	•	•	•	•		
G	3- 4- 5- 6- 7 8- 9- 10- 11 12 (19- 20 21- 22) 13 14- 15- 16 17- 18	1.099-781.0	COMPLETE MANIFOLD 20	TESTATA COMPLETA Ø20	1				•	•	•	•									
		1.099-782.0	COMPLETE MANIFOLD 22	TESTATA COMPLETA Ø22									•	•							
		1.099-783.0	COMPLETE MANIFOLD 25	TESTATA COMPLETA Ø25			•										•	•	•		
		1.099-784.0	COMPLETE MANIFOLD 28	TESTATA COMPLETA Ø28				•												•	•
H	38- 39- 40 41- 42	1.904-180.0	CONNECTING ROD PLUNGER ROD ASSY	PREMONTATO ASTA-BIELLA PISTONE	3	•	•	•	•	•	•	•	•	•	•	•	•	•	•		
I	13- 14	1.904-260.0	VALVE PLUG ASSY	PREMONTATO TAPPO VAM	6	•	•									•	•	•	•		
		1.904-262.0	VALVE PLUG ASSY	PREMONTATO TAPPO VAM					•	•	•	•	•	•							

“Q.TY by Pump” => Necessary quantity to repair one pump
 “Q.TA’ per Pompa” => Quantità necessaria per riparare una pompa

OPTIONAL

Item Pos.	Part Number Codice	Description	Descrizione	Q.TY by Pump Q.TA per Pompa	XL T 73020 IEXS	XL T 3816 IEXS	XL T 1530 IEX	XL T 1830 IEX	XL T 2230 IEX	XL T 2530 IEX	XL T 2730 IEX	XL T 3025 IEX	XL T 3325 IEX	XL T 3517 IEX	XL T 4017 IEX	XL T 4317 IEX	XL T 5015 IEX	XL T 5415 IEX	
49	9.853-428.0	THREADED BRASS PLUG G1/4	PREMONTATO TAPPO FORATO	1	•	•									•	•	•	•	•
	9.853-427.0	THREADED BRASS PLUG G1/4	PREMONTATO TAPPO FORATO	1			•	•	•	•	•	•	•						

TOOL KIT

Part Number Codice	Description	Descrizione	Q.TY by Pump Q.TA per Pompa	XL T 73020 IEXS	XL T 3816 IEXS	XL T 1530 IEX	XL T 1830 IEX	XL T 2230 IEX	XL T 2530 IEX	XL T 2730 IEX	XL T 3025 IEX	XL T 3325 IEX	XL T 3517 IEX	XL T 4017 IEX	XL T 4317 IEX	XL T 5015 IEX	XL T 5415 IEX
1.099-665.0	TOOL-KIT	TOOL-KIT	1	•	•	•	•	•	•	•	•	•	•	•	•	•	•
1.905-659.0	OIL SEAL EXTRACTOR TOOL-KIT	TOOL-KIT ESTR. PARAOLIO	1														

IMPORTANT

IMPORTANTE

* Part available **ONLY** in kit
Disponibile **SOLO** in kit

(...) Parts pre-assembled
Parti pre-assemblate

PARTS LIST LISTA PARTI

Item Pos	Part Number Codice	Description	Descrizione	KIT	Q.TY Q.TÀ	XL T73020IEXS	XL T3816IEXS	XL T1530IEX	XL T1830IEX	XL T2230IEX	XL T2530IEX	XL T2730IEX	XL T3025IEX	XL T3325IEX	XL T3517IEX	XL T4017IEX	XL T4317IEX	XL T5015IEX	XL T5415IEX		
1	9.850-377.0	CRANKCASE	CARTER		1																
2*		PLUNGER OIL SEAL	ANELLO RADIALE	E	3	•	•	•	•	•	•	•	•	•	•	•	•	•	•		
3*		"O" RING Ø1.78X37.82	"O" RING Ø1.78X37.82	A-C-G	3																
4*		PRESSURE RING 20MM	PRESSORE "U" Ø20	C-G	3			•	•	•	•										
		PRESSURE RING 22MM	PRESSORE "U" Ø22											•	•						
		PRESSURE RING 25MM	PRESSORE "U" Ø25			•											•	•	•		
		PRESSURE RING 28MM	PRESSORE "U" Ø28				•													•	•
5*		LOW PRESSURE "U" SEAL, DIA.20MM	ANELLO TENUTA "U" Ø20	A-C-G	3			•	•	•	•										
		LOW PRESSURE "U" SEAL, DIA.22MM	ANELLO TENUTA "U" Ø22											•	•						
		LOW PRESSURE "U" SEAL, DIA.25MM	ANELLO TENUTA "U" Ø25			•											•	•	•		
		LOW PRESSURE "U" SEAL, DIA.28MM	ANELLO TENUTA "U" Ø28				•													•	•
6*		INTERMED. RING 20MM	DIFFUSORE INTER. Ø20	C-G	3			•	•	•	•	•	•	•	•	•	•	•	•		
		INTERMED. RING 22MM	DIFFUSORE INTER. Ø22													•	•				
		INTERMED. RING 25MM	DIFFUSORE INTER. Ø25			•												•	•	•	
		INTERMED. RING 28MM	DIFFUSORE INTER. Ø28				•													•	•
7*		HIGH PRESSURE "U" SEAL, DIA.20MM	ANELLO TENUTA "U" Ø20	A-C-G	3			•	•	•	•	•									
		HIGH PRESSURE "U" SEAL, DIA.22MM	ANELLO TENUTA "U" Ø22												•	•					
		HIGH PRESSURE "U" SEAL, DIA.25MM	ANELLO TENUTA "U" Ø25			•											•	•	•		
		HIGH PRESSURE "U" SEAL, DIA.28MM	ANELLO TENUTA "U" Ø28				•													•	•
8*		BRASS PLUG G 3/4	TAPPO G 3/4	G	1	•	•	•	•	•	•	•	•	•	•	•	•	•			
9*		COPPER WASHER G 3/4	GUARNIZIONE RAME G3/4	G	1																
10*		MANIFOLD HOUSING 28/25	TESTATA Ø28/25	G	1	•	•									•	•	•	•		
		MANIFOLD HOUSING 22/20	TESTATA Ø22/20							•	•	•	•	•	•						
11*		"O" RING Ø2.62X25.07	"O" RING Ø2.62X25.07	B-G	6	•	•									•	•	•	•		
		"O" RING Ø2.62X21.89	"O" RING Ø2.62X21.89							•	•	•	•	•	•						
12*		VALVE ASSEMBLY	VALVOLA PREMONTATA	B-G	6	•	•									•	•	•	•		
		VALVE ASSEMBLY	VALVOLA PREMONTATA							•	•	•	•	•	•						
13*		"O" RING Ø2.62X26.58	"O" RING Ø2.62X26.58	B-G-I	6	•	•									•	•	•	•		
		"O" RING Ø2.62X25.80	"O" RING Ø2.62X25.80							•	•	•	•	•	•						
14*		VALVE PLUG	TAPPO VALVOLA	G-I	6	•	•									•	•	•	•		
		VALVE PLUG	TAPPO VALVOLA							•	•	•	•	•	•						
15*		MANIFOLD STUD BOLT	VITE M10X80 GEOMET	G	8																
16*		LOCK-WASHER	ROSETTA ELASTICA	G	8																
17*		COPPER WASHER G1/2	GUARNIZIONE RAME G1/2	G	1	•	•	•	•	•	•	•	•	•	•	•	•	•			
18*		BRASS PLUG G1/2	TAPPO G1/2	G	1																

Item Pos	Part Number Codice	Description	Descrizione	KIT	Q.TY Q.TÀ	XLT73020IEXS	XLT3816IEXS	XLT1530IEX	XLT1830IEX	XLT2230IEX	XLT2530IEX	XLT2730IEX	XLT3025IEX	XLT3325IEX	XLT3517IEX	XLT4017IEX	XLT4317IEX	XLT5015IEX	XLT5415IEX	
19*		VALVE SEAT	SEDE VALVOLA	B-G	6	•	•								•	•	•	•	•	
		VALVE SEAT	SEDE VALVOLA	B-G	6			•	•	•	•	•	•	•						
20*		VALVE PLATE	PIATTELLO VALVOLA	B-G	6															
21*		VALVE SPRING	MOLLA VALVOLA	B-G	6															
22*		VALVE CAGE	GABBIA VALVOLA	B-G	6															
23	9.851-503.0	HEXAGONAL SCREW	VITE M8X20		8															
24	9.851-114.0	WASHER DIA. 8.5	ROSETTA Ø8.5		8	•	•	•	•	•	•	•	•	•	•	•	•	•	•	
25	9.850-620.0	CLOSED BEARING HOUSING	FLANGIA CHIUSA		1															
26*		"O" RING Ø2.62X71.12	"O" RING Ø2.62X71.12	F	2															
27	9.850-347.0	ROLLER BEARING	CUSCINETTO A RULLI		2															
28	9.850-194.0	CRANKSHAFT DIA. 24 MM	ALBERO Ø24		1					•										
	9.850-192.0	" " " "	" "								•					•				
	9.850-193.0	" " " "	" "									•					•			•
	9.850-191.0	" " " "	" "				•	•	•	•	•	•	•	•	•	•	•	•	•	•
	9.850-222.0	" " " "	" "						•											
29	9.850-447.0	CRANKSHAFT KET	CHIAVETTA		1															
30	9.851-287.0	OIL DIP STICK	TAPPO LIVELLO OLIO		1															
31	9.850-000.0	CRANKSHAFT SEAL	ANELLO RADIALE		1															
32	9.850-546.0	SHIM	DISTANZIALE		1															
33	9.850-604.0	BEARING HOUSING (RIGHT VERSION)	FLANGIA APERTA (VERSIONE DESTRA)		1	•	•	•	•	•	•	•	•	•	•	•	•	•	•	
	9.850-605.0	BEARING HOUSING (LEFT VERSION)	FLANGIA APERTA (VERSIONE SINISTRA)																	
34*		PLUNGER BOLT	VITE PISTONE	D	3															
35*		COPPER SPACER	ROSETTA RAME	D	3															
36*		PLUNGER DIA. 20 MM	PISTONE Ø20	D	3			•	•	•	•	•								
		PLUNGER DIA. 22 MM	PISTONE Ø22	D										•	•					
		PLUNGER DIA. 25 MM	PISTONE Ø25	D			•										•	•	•	
		PLUNGER DIA. 28 MM	PISTONE Ø28	D				•												•
37*		COPPER SPACER	ROSETTA RAME	D	3															
38*		PLUNGER ROD	ASTA PISTONE	H	3															
39*		CONNECTING ROD PIN	SPINOTTO	H	3															
40*		CONNECTING ROD	BIELLA	H	3															
41*		SPRING WASHER	ROSETTA ELASTICA Ø8	H	6															
42*		CONNECTING ROD SCREW	VITE BIELLA	H	6															
43*		"O" RING Ø2.62X152.07	"O" RING Ø2.62X152.07	F	1	•	•	•	•	•	•	•	•	•	•	•	•	•	•	
44	9.850-389.0	CRANKCASE COVER	COPERCHIO		1															
45*		"O" RING Ø1.78X14.00	"O" RING Ø1.78X14.00	F	1															
46*		BRASS PLUG G 3/8	TAPPO OTTONE G 3/8	F	1															
47*		SIGHT GLASS, G 3/4	SPIA LIVELLO OLIO	F	1															
48	9.851-474.0	COVER SCREW	VITE COPERCHIO		5															