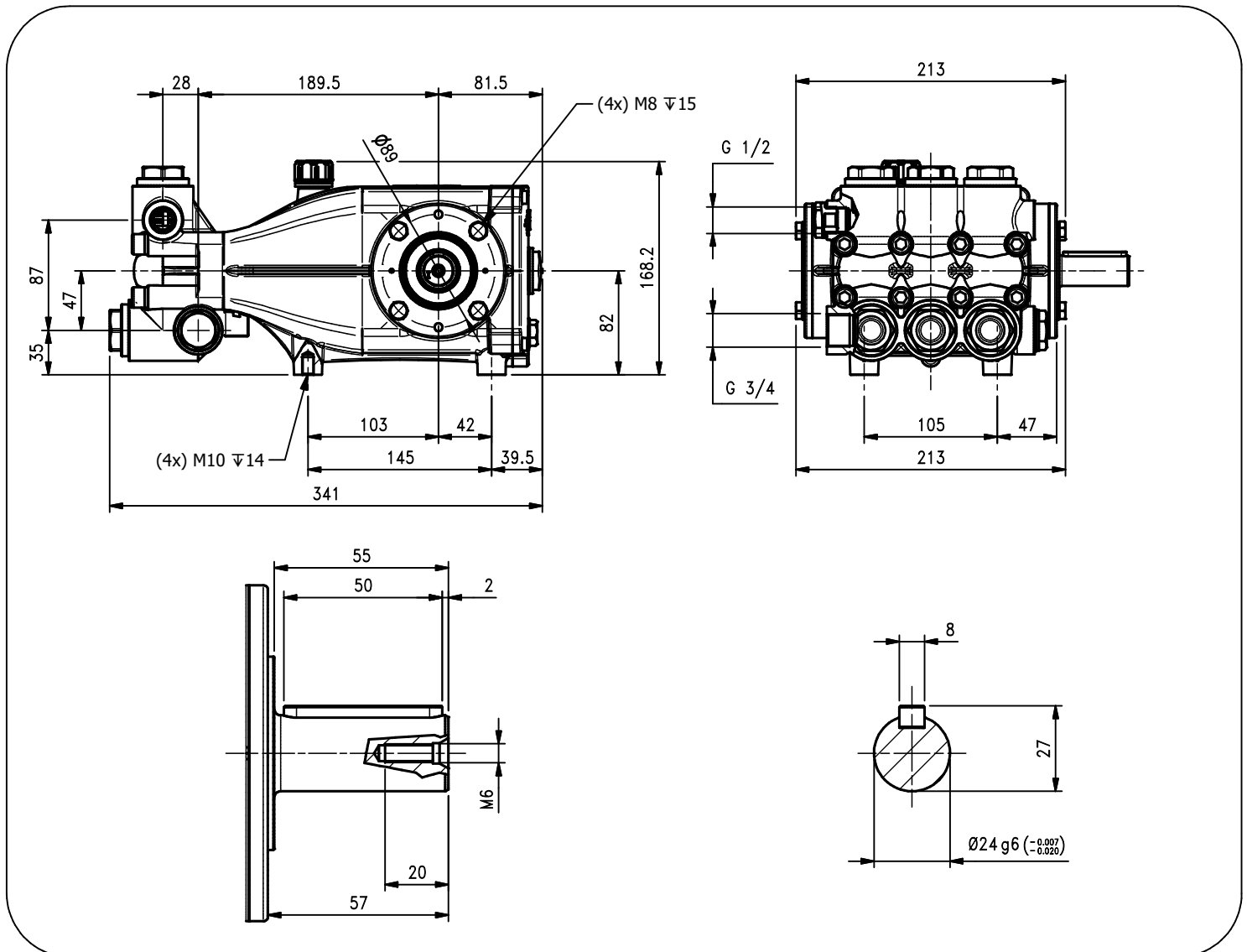
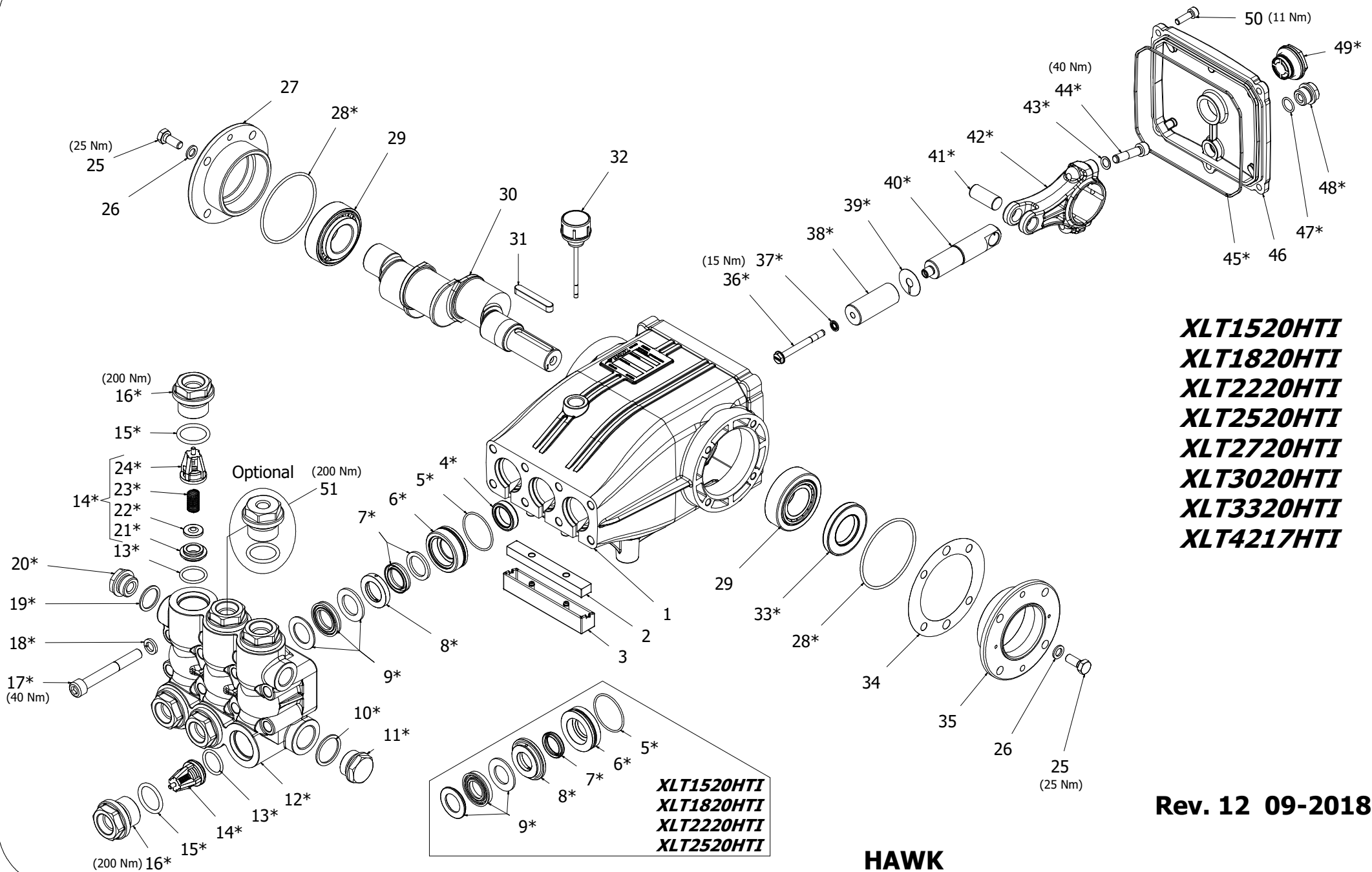


Pump Pompa	Pressure Pressione		Volume Portata				RPM giri/min		Power Potenza			
			l/min		GPM				HP		kW	
	bar	PSI	50 Hz	60 Hz	50 Hz	60 Hz	50 Hz	60 Hz	50 Hz	60 Hz	50 Hz	60 Hz
XLT1520HTI	200	2900	15	18	4.0	4.7	1450	1740	7.9	9.4	5.8	6.9
XLT1820HTI	200	2900	18	22	4.8	5.8	1450	1740	9.4	11.3	6.9	8.3
XLT2220HTI	200	2900	22	26	5.8	7.0	1450	1740	11.6	13.9	8.5	10.2
XLT2520HTI	200	2900	25	30	6.6	7.9	1450	1740	13.1	15.7	9.6	11.5
XLT2720HTI	200	2900	27	31	7.1	8.6	1450	1740	13.7	16.4	10.1	12.1
XLT3020HTI	200	2900	30	36	7.9	9.5	1450	1740	15.3	18.4	11.3	13.6
XLT3320HTI	200	2900	33	40	8.7	10.4	1450	1740	16.9	20.3	12.5	15.0
XLT4217HTI	170	2465	42	50	11.2	13.4	1450	1740	18.5	22.2	13.6	16.3

Dimensioni d'ingombro

Overall dimensions





***XLT1520HTI
XLT1820HTI
XLT2220HTI
XLT2520HTI
XLT2720HTI
XLT3020HTI
XLT3320HTI
XLT4217HTI***

Rev. 12 09-2018

**HAWK
Pompe XLT HT I serie 2015
XLT HT I pumps 2015 series**

XLT HT I 2015 SERIES

ORDINARY MAINTENANCE KIT / KIT MANUTENZIONE ORDINARIA

KIT	Item Pos.	Part Number Codice	Description	Descrizione	Q.TY by Pump Q.TA per Pompa	XL T1520HTI	XL T1820HTI	XL T2220HTI	XL T2520HTI	XL T2720HTI	XL T3020HTI	XL T3320HTI	XL T4217HTI
A	5- 6- 7- 9	1.099-855.0	PLUNGER SEALS DIA. 20 mm	GUARNIZIONI PISTONE Ø20	1	•	•	•	•				
	5- 7- 9	1.099-861.0	PLUNGER SEALS DIA. 22 mm	GUARNIZIONI PISTONE Ø22							•	•	•
B	13- 14 (21 22- 23- 24) 15	1.905-687.0	COMPLETE VALVE	VALVOLA COMPLETA	1	•	•	•	•	•	•	•	•

EXTRAORDINARY MAINTENANCE KIT / KIT MANUTENZIONE STRAORDINARIA

KIT	Item Pos.	Part Number Codice	Description	Descrizione	Q.TY by Pump Q.TA per Pompa	XL T1520HTI	XL T1820HTI	XL T2220HTI	XL T2520HTI	XL T2720HTI	XL T3020HTI	XL T3320HTI	XL T4217HTI
C	5- 6- 7- 8- 9	1.905-644.0	COMPLETE SEALS PACKING DIA. 20 mm	PACCO COMPLETO GUARNIZIONI PISTONE Ø20	1	•	•	•	•				
		1.905-855.0	COMPLETE SEALS PACKING DIA. 22 mm	PACCO COMPLETO GUARNIZIONI PISTONE Ø22							•	•	•
D	36- 37- 38 39	1.099-763.0	PLUNGER DIA. 20 mm	PISTONE Ø20	3	•	•	•	•				
		1.099-776.0	PLUNGER DIA. 22 mm	PISTONE Ø22							•	•	•
E	4	1.905-545.0	PLUNGER OIL SEALS	ANELLI TENUTA OLIO ASTA	1	•	•	•	•	•	•	•	•
F	28- 33- 45 47- 48- 49	1.905-613.0	KIT CRANKCASE SEALS	KIT TENUTE CARTER	1	•	•	•	•	•	•	•	•
G	5- 6- 7- 8 9- 10- 11- 12 13- 14 (21 22- 23- 24) 15- 16- 17 18- 19- 20	1.099-859.0	COMPLETE MANIFOLD 20	TESTATA COMPLETA Ø20	1	•	•	•	•				
		1.099-860.0	COMPLETE MANIFOLD 22	TESTATA COMPLETA Ø22								•	•
H	40- 41- 42 43- 44	1.904-180.0	CONNECTING ROD PLUNGER ROD ASSY	PREMONTATO ASTA-BIELLA PISTONE	1	•	•	•	•				
		1.904-182.0	CONNECTING ROD PLUNGER ROD ASSY	PREMONTATO ASTA-BIELLA PISTONE								•	•
I	15- 16	1.904-325.0	VALVE PLUG ASSY	PREMONTATO TAPPO VAM	1	•	•	•	•	•	•	•	•

“Q.TY by Pump” => Necessary quantity to repair one pump
 “Q.TA’ per Pompa” => Quantità necessaria per riparare una pompa

OPTIONAL

Item Pos.	Part Number Codice	Description	Descrizione	Q.TY by Pump Q.TA per Pompa	XLT1520HTI	XLT1820HTI	XLT2220HTI	XLT2520HTI	XLT2720HTI	XLT3020HTI	XLT3320HTI	XLT4217HTI
51	9.853-427.0	THREADED BRASS PLUG G1/4	PREMONTATO TAPPO FORATO	1	•	•	•	•	•	•	•	•

TOOL KIT

Part Number Codice	Description	Descrizione	Q.TY by Pump Q.TA per Pompa	XLT1520HTI	XLT1820HTI	XLT2220HTI	XLT2520HTI	XLT2720HTI	XLT3020HTI	XLT3320HTI	XLT4217HTI
1.099-665.0	TOOL-KIT	TOOL-KIT	1	•	•	•	•	•	•	•	•
1.905-659.0	OIL SEAL EXTRACTOR TOOL-KIT	TOOL-KIT ESTR. PARAOLIO	1	•	•	•	•	•	•	•	•

IMPORTANT

IMPORTANTE

* Part available ONLY in kit
Disponibile SOLO in kit

(...) Parts pre-assembled
Parti pre-assemblate

PARTS LIST LISTA PARTI

Item Pos	Part Number Codice	Description	Descrizione	KIT	Q.TY Q.TA	XL T1520HTI	XL T1820HTI	XL T2220HTI	XL T2520HTI	XL T2720HTI	XL T3020HTI	XL T3320HTI	XL T4217HTI
1	9.850-377.0	CRANKCASE	CARTER		1								
2	9.851-277.0	POLYESTER FIBER SPONGE	SPUGNA POLIESTERE		1								
3	9.851-443.0	DRAINAGE TANK	VASCHETTA		1	•	•	•	•	•	•	•	•
4*		PLUNGER OIL SEAL	ANELLO RADIALE	E	3								
5*		"O" RING Ø1.78X37.82	"O" RING Ø1.78X37.82	A-C-G	3								
6*		PRESSURE RING 20MM	PRESSORE "U" Ø20	C-G	3	•	•	•	•				
		PRESSURE RING 22MM	PRESSORE "U" Ø22								•	•	•
7*		LOW PRESSURE "U" SEAL, DIA.20MM	ANELLO TENUTA "U" Ø20	A-C-G	3	•	•	•	•				
		LOW PRESSURE "U" SEAL, DIA.22MM	ANELLO TENUTA "U" Ø22								•	•	•
8*		INTERMED. RING 20MM	DIFFUSORE INTER. Ø20	C-G	3	•	•	•	•				
		INTERMED. RING 22MM	DIFFUSORE INTER. Ø22								•	•	•
9*		HIGH PRESSURE "U" SEAL, DIA.20MM	ANELLO TENUTA "U" Ø20	A-C-G	3	•	•	•	•				
		HIGH PRESSURE "U" SEAL, DIA.22MM	ANELLO TENUTA "U" Ø22								•	•	•
10*		COPPER WASHER G 3/4	GUARNIZIONE RAME G 3/4	G	1								
11*		BRASS PLUG G 3/4	TAPPO G3/4	G	1								
12*		MANIFOLD HOUSING 22/20	TESTATA Ø22/20	G	1								
13*		"O" RING Ø2.62X21.89	"O" RING Ø2.62X21.89	B-G	6								
14*		VALVE ASSEMBLY	VALVOLA PREMONTATA	B-G	6								
15*		"O" RING Ø2.62X25.80	"O" RING Ø2.62X25.80	B-G	6								
16*		VALVE PLUG	TAPPO VALVOLA	G	6								
17*		MANIFOLD STUD BOLT	VITE M10X80 GEOMET	G	8								
18*		LOCK-WASHER	ROSETTA ELASTICA	G	8								
19*		COPPER WASHER G1/2	GUARNIZIONE RAME G1/2	G	1	•	•	•	•	•	•	•	•
20*		BRASS PLUG G1/2	TAPPO G1/2	G	1								
21*		VALVE SEAT	SEDE VALVOLA	B-G	6								
22*		VALVE PLATE	PIATTELLO VALVOLA	B-G	6								
23*		VALVE SPRING	MOLLA VALVOLA	B-G	6								
24*		VALVE CAGE	GABBIA VALVOLA	B-G	6								
25	9.851-503.0	HEXAGONAL SCREW	VITE M8X20		8								
26	9.851-114.0	WASHER DIA. 8.5	ROSETTA Ø8.5		8								
27	9.850-620.0	CLOSED BEARING HOUSING	FLANGIA CHIUSA		1								
28*		"O" RING Ø2.62X71.12	"O" RING Ø2.62X71.12	F	2								
29	9.850-347.0	ROLLER BEARING	CUSCINETTO A RULLI		2								
30	9.850-191.0	CRANKSHAFT DIA. 24 MM	ALBERO Ø24		1								•
	9.850-192.0	" " " "	" "					•		•			
	9.850-193.0	" " " "	" "						•		•		
	9.850-194.0	" " " "	" "				•						
	9.850-195.0	" " " "	" "										•
	9.850-222.0	" " " "	" "				•						

Item Pos	Part Number Codice	Description	Descrizione	KIT	Q.T Y Q.T A	XL T1520HTI	XL T1620HTI	XL T2220HTI	XL T2520HTI	XL T2720HTI	XL T3020HTI	XL T3320HTI	XL T4217HTI
31	9.850-447.0	CRANKSHAFT KET	CHIAVETTA		1								
32	9.851-287.0	OIL DIP STICK	TAPPO LIVELLO OLIO		1								
33*		CRANKSHAFT SEAL	ANELLO RADIALE	F	1								
34	9.850-546.0	SHIM	DISTANZIALE		1	•	•	•	•	•	•	•	•
35	9.850-610.0	BEARING HOUSING	FLANGIA APERTA		1								
36*		PLUNGER BOLT	VITE PISTONE	D	3								
37*		COPPER SPACER	ROSETTA RAME	D	3								
38*		PLUNGER DIA. 20 MM	PISTONE Ø20	D	3	•	•	•	•				
		PLUNGER DIA. 22 MM	PISTONE Ø22	D						•	•	•	•
39*		COPPER SPACER	ROSETTA RAME	D	3	•	•	•	•	•	•	•	•
40*		PLUNGER ROD	ASTA PISTONE	H	3	•	•	•	•				
		PLUNGER ROD	ASTA PISTONE	H						•	•	•	•
41*		CONNECTING ROD PIN	SPINOTTO	H	3								
42*		CONNECTING ROD	BIELLA	H	3								
43*		SPRING WASHER	ROSETTA ELASTICA Ø8	H	6								
44*		CONNECTING ROD SCREW	VITE BIELLA	H	6								
45*		"O" RING Ø2.62X152.07	"O" RING Ø2.62X152.07	F	1								
46	9.850-389.0	CRANKCASE COVER	COPERCHIO		1	•	•	•	•	•	•	•	•
47*		"O" RING Ø1.78X14.00	"O" RING Ø1.78X14.00	F	1								
48*		BRASS PLUG G 3/8	TAPPO OTTONE G 3/8	F	1								
49*		SIGHT GLASS, G 3/4	SPIA LIVELLO OLIO	F	1								
50	9.851-474.0	COVER SCREW	VITE COPERCHIO		5								