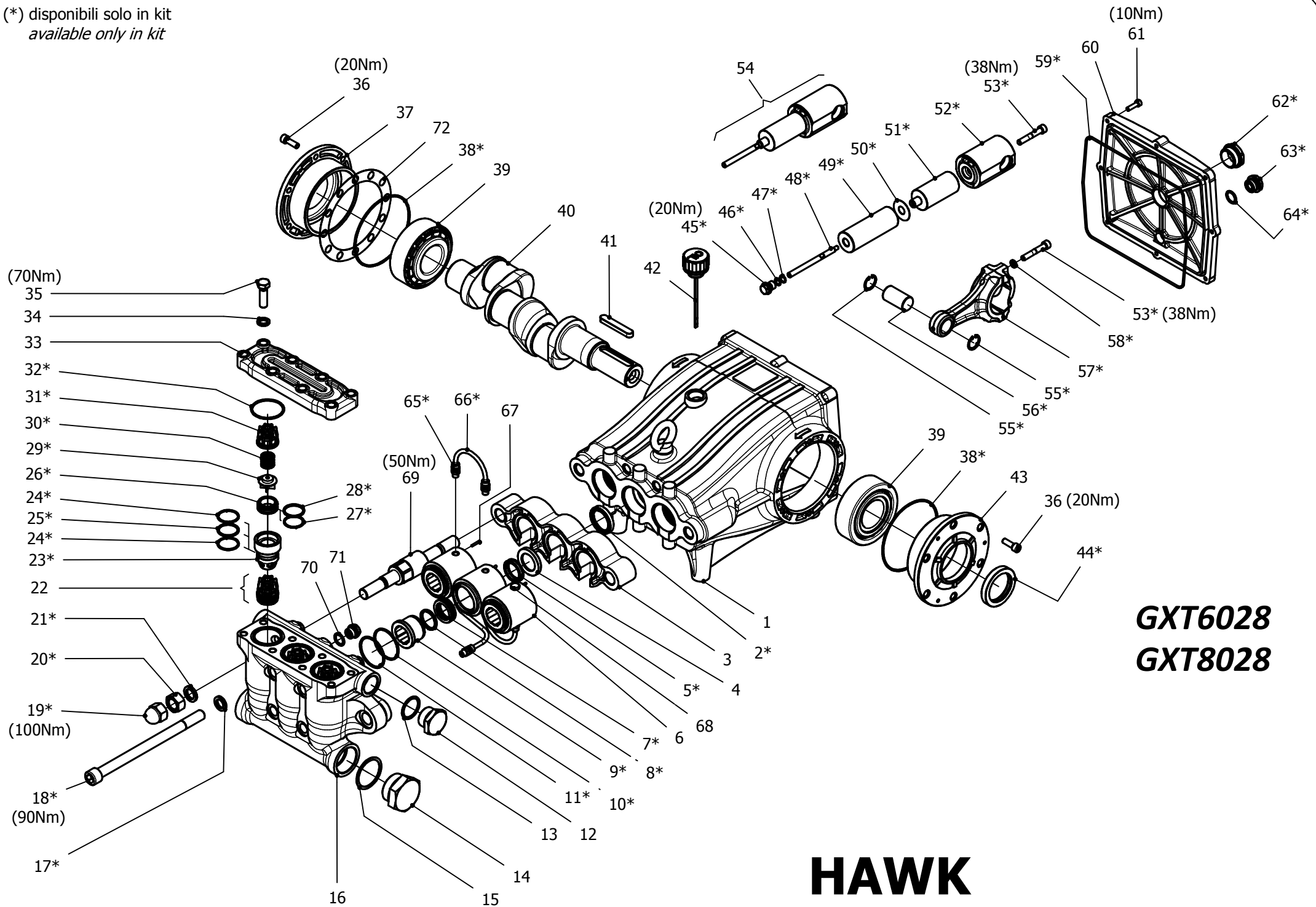


(*) disponibili solo in kit
available only in kit



GXT6028
GXT8028

HAWK
serie GXT 1450 RPM

GXT 1450 RPM SERIES 2017

ORDINARY MAINTENANCE KIT / KIT MANUTENZIONE ORDINARIA

KIT	Item - Pos	Part Number - Codice	Description	Descrizione	Q.TY per pump - Q.TA per pompa	GXT6028S	GXT8028S
A	5-7-8-9-10 11	9.853-464.0	PISTON SEAL PACKING Ø30	GUARNIZIONI PISTONE Ø30	1		
H	22 (26-27 28-29-30 31) 24-25 32	1.904-471.0	VALVE	VALVE	1	•	•

EXTRAORDINARY MAINTENANCE KIT / KIT MANUTENZIONE STRAORDINARIA

KIT	Item - Pos	Part Number - Codice	Description	Descrizione	Q.TY per pump - Q.TA per pompa	GXT6028S	GXT8028S
B	45-46-47 49-50	9.853-465.0	PLUNGER Ø30	PISTONE Ø30	3		
C	38-44-59 62-63-64	1.904-474.0	KIT CRANCKASE SEALS	KIT TENUTE CARTER	1		
D	17-18-19 20-21	1.904-472.0	MANIFOLD SCREWS	VITI TESTATA	1		
E	45-46-47 50-53-54 55-56-57-58	1.904-475.0	PLUNGER ROD-CONNECTING ROD	ASTA PISTONE-BIELLA	3	•	•
F	65-66	1.904-477.0	COMPLETE CIRCULATION PIPES	TUBI RICIRCOLO	1		
G	22 (26-27 28-29-30 31) 23-24 25-32	1.904-470.0	COMPLETE VALVE	VALVOLE COMPLETE	1		
I	2	1.904-478.0	PLUNGER OIL SEALS	TENUTE OLIO ASTA PISTONE	1		

“Q.TY per pump” => Necessary quantity to repair one pump
 “Q.TA’ per pompa” => Quantità necessaria per riparare una pompa

IMPORTANT

IMPORTANTE

* Part available **ONLY** in kit
 Disponibile **SOLO** in kit

(...) Parts pre-assembled
 Parti pre-assemblate

PARTS LIST LISTA PARTI

Item Pos	Part Number Codice	Description	Descrizione	Kit	Q.TY Q.TA	GXT6028S	GXT8028S
1	9.850-372.0	CRANCKCASE	CARTER		1		
2*		OIL SEAL	ANELLO RADIALE	I	3		
3	9.850-361.0	SPACER	DISTANZIALE CARTER		1		
4	9.853-391.0	SUPPORT RING Ø30	PRESSORE Ø30		3		
5		"U" LP SEAL Ø30	TENUTA BASSA PRESSIONE Ø30	A	3		
6	9.850-495.0	INTERMEDIATE RING Ø30	DIFFUSORE Ø30		3		
7*		"U" HP SEAL Ø30	TENUTA ALTA PRESSIONE Ø30	A	3		
8*		SCRAPER Ø30	RASCHIATORE PISTONE Ø30	A	3		
9*		BUSH GUIDE Ø30	BOCCOLA GUIDA Ø30	A	3		
10*		BACK RING OR3200	ANELLO ANTIESTR. OR3200	A	3		
11*		O-RING 3200 – NBR90	O-RING 3200 – NBR90	A	3		
12	9.851-331.0	PLUG G1"	TAPPO G1"		1		
13	9.850-752.0	COPPER WASHER G1"	GUARNIZIONE G1"		1		
14	9.851-360.0	PLUG G1" 1/2	TAPPO G1" 1/2		1		
15	9.850-753.0	COPPER WASHER G1" 1/2	GUARNIZIONE G1" 1/2		1		
16	9.851-411.0	MANIFOLD	TESTATA		1		
17*		WASHER M16	ROSETTA M16	D	4		
18*		SCREW M16x240	VITE TCEI M16x240	D	4		
19*		NUT M18	DADO M18 CIECO	D	2		
20*		NUT M18	DADO M18	D	2		
21*		WASHER M18	ROSETTA ELASTICA M18	D	2		
22*		VALVE ASSEMBLY	PREMONATATO VALVOLA	G - H	6		
23*		VALVE SPACER	DISTANZIALE VALVOLA	G	3		
24*		BACK RING OR3118	ANELLO ANTIESTR. OR3118	G - H	6		
25*		O-RING 3118 – NBR90	O-RING 3118 – NBR90	G - H	3		
26*		VALVE SEAT	SEDE VALVOLA	G - H	6		
27*		BACK RING OR3112	ANELLO ANTIESTR. OR3112	G - H	6		
28*		O-RING 3112 – NBR90	O-RING 3112 – NBR90	G - H	6		
29*		VALVE PLATE	PIATTELLO VALVOLA	G - H	6		
30*		SPRING	MOLLA	G - H	6		
31*		VALVE CAGE	GABBIA VALVOLA	G - H	6		
32*		O-RING 3193 – NBR90	O-RING 3193 – NBR90	G - H	3		
33	9.850-396.0	MANIFOLD COVER	COPERCHIO TESTATA		1		
34	9.851-140.0	WASHER M12	ROSETTA M12		8		
35	9.851-518.0	SCREW M12x40	VITE TE M12x40		8		
36	9.851-468.0	SCREW M8x25	VITE TCEI M8x25		12		
37	9.850-646.0	CLOSED HOUSING	FLANGIA CHIUSA		1		

Item Pos	Part Number Codice	Description	Descrizione	Kit	Q.TY Q.TÀ	GXT6028S	GXT8028S
38		O-RING 3475 – NBR70	O-RING 3475 – NBR70	C	2		
39	9.850-353.0	BEARING	CUSCINETTO		2	•	•
40	9.853-098.0	CRANKSHAFT "C"	ALBERO "C"		1		•
	9.853-392.0	CRANKSHAFT "G"	ALBERO "G"		1	•	
41	9.850-449.0	CRANKSHAFT KEY	CHIAVETTA		1		
42	9.851-284.0	OIL DIP STICK G3/4	TAPPO SFIATO OLIO G3/4		1		
43	9.850-645.0	BEARING HOUSING	FLANGIA APERTA		1		
44*		OIL SEAL	ANELLO RADIALE	C	1		
45*		PLUNGER NUT	DADO PISTONE	B - E	3		
46*		O-RING 2037 – NBR70	O-RING 2037 – NBR70	B - E	3		
47*		BACK RING OR2037	ANELLO ANTIESTR. OR2037	B - E	3		
48*		PLUNGER SCREW	TIRANTE PISTONE	E	3		
49*		PLUGER Ø30	PISTONE Ø30	B	3		
50*		PLUGER WASHER	ROSETTA PISTONE	B - E	3		
51*		PLUNGER ROD SPACER	DISTANZIALE ASTA	E	3		
52*		PLUNGER ROD	ASTA PATTINO	E	3		
53*		SCREW M8x50	VITE TCEI M8x50	E	9		
54*		ASSEMBLY PLUNGER ROD	PREMONATATO ASTA PISTONE	E	3		
55*		SEEGER	ANELLO SEEGER	E	6		
56*		CONNECTING ROD PIN	SPINOTTO	E	3		
57*		CONNECTING ROD	BIELLA	E	3	•	•
58*		WASHER M8	ROSETTA ELASTICA M8	E	6		
59*		O-RING Ø2,62x255 - NBR90	O-RING Ø2,62x255 - NBR90	C	1		
60	9.850-395.0	CRANCKCASE COVER	COPERCHIO CARTER		1		
61	9.851-480.0	SCREW M6x22	VITE TCEI M6x22		8		
62*		SIGHT GLASS G1"	SPIA LIVELLO G1"	C	1		
63*		PLUG G1/2	TAPPO G1/2	C	1		
64*		O-RING 3068 - NBR70	O-RING 3068 - NBR70	C	1		
65*		FITTING G1/8-6/4	RACCORDO G1/8-6/4	F	6		
66*		RED RILSAN PIPE 6/4	TUBO RILSAN 6/4 ROSSO	F	3		
67	9.851-256.0	PIN	SPINA CILINDRICA		3		
68	9.851-353.0	PLUG G1/8	TAPPO G1/8		1		
69	9.851-937.0	MANIFOLD SCREW	TIRANTE TESTATA		2		
70	9.850-747.0	COPPER WASER G3/8	GUARNIZIONE RAME G3/8		3		
71	9.851-303.0	PLUG G3/8	TAPPO G3/8		3		
72	9.850-549.0	SHIM	DISTANZIALE FLANGIA		1		